

A-SA-NFNF-02 Series

0 to 6 GHz, N-type (female) to N-type (female) surge arrester



Features and Benefits

- N-type connector

Introduction

The A-SA-NFNF-02 Series is a N-type (female) to N-type (female) surge arrester to help protect connected electrical devices from power surges.

Specifications

Physical Characteristics

Frequency	0 to 6 GHz
V.S.W.R.	<1.5
Insertion Loss	0.5 dB (max.)
DC Breakdown Voltage	230 V \pm 20% @ 100 V/S
Impulse Breakdown Voltage	< 700 V @ 1k V/ μ s
Surge Discharge Current	10 kA @ 8/20 μ s
Initial Insulation Resistance	\geq 1000 m Ω
Electrode Capacitance	1.5 P

Warranty

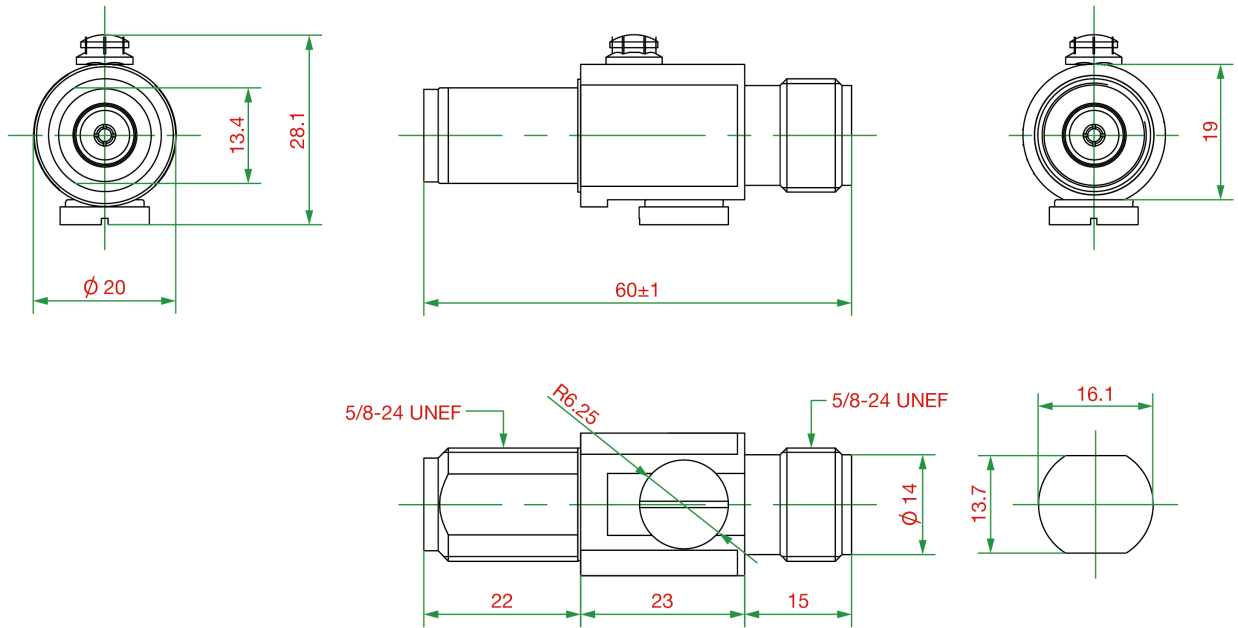
Warranty Period	1 year
Details	See www.moxa.com/warranty

Package Contents

Device	1 x A-SA-NFNF-02 Series surge arrester
--------	--

Dimensions

Unit: mm



Ordering Information

Model Name	Frequency	Connector Type
A-SA-NFNF-02	0 to 6 GHz	N-type (female) to N-type (female)

© Moxa Inc. All rights reserved. Updated Mar 05, 2021.

This document and any portion thereof may not be reproduced or used in any manner whatsoever without the express written permission of Moxa Inc. Product specifications subject to change without notice. Visit our website for the most up-to-date product information.