

A951

8MP Outdoor Speed Dome with D/N, Adaptive IR, Extreme WDR, ELLS, 31x Zoom Lens



- 8 Megapixel with 4K Ultra HD
- Day & Night with Extreme Low Light Sensitivity and Adaptive IR LED
- Extreme WDR
- Endless Pan & Tilt
- H.265 Compression
- Event trigger, response and notification
- Wiper included

► Specifications

Device

Product Type	Speed Dome
Maximum Resolution	8MP
Application Environment	Outdoor
Image Sensor	Progressive Scan CMOS
Sensor Size	1/1.8 "
Effective Pixels	3864(H) X 2180(V) (8.42 MP)
Day / Night	Yes
Low Light Sensitivity	Extreme
Minimum Illumination	Color: 0.04 lux; B/W: 0.002 lux
Mechanical IR Cut Filter	Yes
IR LED	Adaptive IR LED
IR Working Distance	100m
Electronic Shutter	1-1/10000 second (auto mode)

Lens

Focal Length	Zoom, f6.5-202mm
Aperture	F1.55

Zoom Ratio	31x optical
Iris	P-Iris
Focus	Auto focus on fast-moving objects with built-in LiDAR module
Focus Distance	LiDAR: 100m (25x) ISP: 150m (31x)
Lens Mount	Board mount
Horizontal Viewing Angle	63.4° - 2.3°
Vertical Viewing Angle	37.8° - 1.4°

PTZ

Manual Panning / Tilting Speed	0.1° - 90°/second, 0.1° - 55°/second
Preset Panning / Tilting Speed	300°/second, 300°/second
Panning Range	360° endless
Tilting Range	-10°~100°
PTZ Control	PTZ Control, Speed Control, Auto scan, 256 preset points

Video

Compression	H.265, H.264, MJPEG
Maximum Frame Rate vs. Resolution	30 fps at 3840 x 2160 (4K Ultra HD) 30 fps at 1280 x 720
Multi-Streaming	Quad streams based on video configurations
Wide Dynamic Range	Extreme WDR (120 dB)
Image Enhancement	White Balance, Brightness, Contrast, Sharpness, Gyro-based Image Stabilizer
Digital Noise Reduction	2D + 3D DNR
Privacy Mask	Yes
Text Overlay	Yes
Built-in Analytics	Object Based Motion Detection, Tampering Detection

Network

Network Protocol & Service	IPv4/v6, TCP, UDP, DHCP, PPPoE, HTTP, HTTPS, DNS, DDNS, NTP, RTP, RTSP, SMTP, FTP, IGMP, ICMP, ARP, UPnP, QoS, SNMP, IEEE 802.1X
Ethernet Port	1 x Ethernet (1000 Base-T), RJ-45 connector
Security	IP address filtering, HTTPS encryption, Password protected user level, IEEE 802.1X network access control

Event

Event Trigger	Video motion detection, External device through digital input, Sound detection
Event Response	Send E-mail Notification, Save video to local storage, Upload snapshot to FTP server, Activate external device through digital output

Integration

ONVIF Compliant	Yes, Profile S, Profile G, Profile T
-----------------	--------------------------------------

Interface

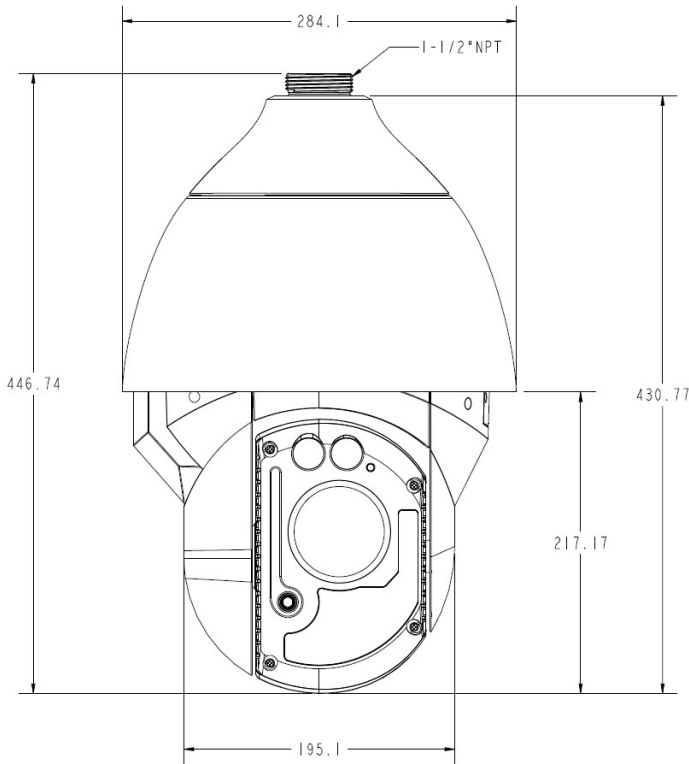
Local Storage	MicroSD, MicroSDHC, MicroSDXC memory card slot (card not included)
Digital Input/Output	4/2 (Terminal block)

Operating Button	Reset Button
------------------	--------------

General

Power Source	AC 24V, High PoE 60W
Power Consumption	55 W (AC), 51 W (PoE)
Weight	8900g (19.62lb)
Dimensions	(Ø x H): 284mm x 431mm (11.18" x 16.97")
Environmental Casing	Weatherproof (IP66), Integrated wiper
Bundled Accessories	High PoE injector
Heater	Yes
Operating Temperature	-40°C ~60°C (-40°F ~ 140°F) heater on, -10°C ~60°C (14°F ~ 140°F) Wiper on
Operating Humidity	10% - 90% RH
Approvals	CE Class A, FCC Class B, IP66
Material	Metal Plastic
Real-time Clock (RTC)	Yes
Warranty	3 Year(s) (1 year in continuous motion). For extended warranty offering, see http://www.acti.com/support/warranty

► **Dimension Diagram**



Unit: mm [inch]

▶ Related Products

Mounting Accessories - Camera Mount

PMAX-0115



Pendant Mount (for Z950)

PMAX-0346



Heavy Duty Wall Mount for A951

PMAX-0531



Pole mount for A951

PMAX-0702



Junction Box for PTZ and Dome Cameras

Note: Some mounting accessories may need additional accessories for installation. Please check www.acti.com/mountingselector for more information.

Power Supply Accessories - Power Adapter

PPBX-0022



Power Adapter for A951

Power Supply Accessories - PoE Injector

PPOE-0103



High PoE Injector, Single-port, 60W Gigabit Midspan, 4-Pairs, 802.3at Compliant, AC 100~240V, with universal connectors (for, I93~I910, I915, B915~B917, B922, B928, B945, B949, A950)