

A952

8MP ALPR Outdoor Speed Dome with D/N, Adaptive IR, Extreme WDR, ELLS, 22x Zoom Lens



- ALPR
- 8 Megapixel with 4K Ultra HD
- Day & Night with Extreme Low Light Sensitivity and Adaptive IR LED
- Extreme WDR
- Endless Pan & Tilt
- H.265 Compression
- Built-in Analytics
- Event trigger, response and notification

► Specifications

Device

Product Type	Speed Dome
Maximum Resolution	8MP
Product Application	Face, People and Car Detection, ALPR
Application Environment	Outdoor
Image Sensor	Progressive Scan CMOS
Sensor Size	1/1.8 "
Effective Pixels	3864(H) X 2180(V) (8.42 MP)
Day / Night	Yes
Low Light Sensitivity	Extreme
Minimum Illumination	Color: 0.002 lux; B/W: 0 lux (IR LED on)
Mechanical IR Cut Filter	Yes
IR Sensitivity Range	700-1100nm
IR LED	Adaptive IR LED
IR Working Distance	100m
Electronic Shutter	1-1/10000 second (manual mode); 1-1/10000 second (auto mode)

Lens

Focal Length	Zoom, f6.4-138.5mm
Aperture	F1.5
Zoom Ratio	22x optical zoom, 10x digital zoom
Iris	P-Iris
Focus	Auto focus
Lens Mount	Board mount
Horizontal Viewing Angle	62.6° - 3.2°
Vertical Viewing Angle	36.7° - 1.9°

PTZ

Manual Panning / Tilting Speed	0.1° - 90°/second, 0.1° - 55°/second
Preset Panning / Tilting Speed	300°/second, 300°/second
Panning Range	360° endless
Tilting Range	-20°~100°
PTZ Control	PTZ Control, Speed Control, Auto scan, 256 preset points

Video

Compression	H.265, H.264, MJPEG
Maximum Frame Rate vs. Resolution	30 fps at 3840 x 2160 (4K Ultra HD) 30 fps at 3200 x 1800 30 fps at 1920 x 1080 30 fps at 1280 x 1024 30 fps at 1280 x 720 30 fps at 800 x 600 30 fps at 720 x 480 30 fps at 640 x 480 30 fps at 352 x 240 30 fps at 320 x 240
Multi-Streaming	Simultaneous quad streams
Bit Rate Mode	Constant, Variable
Wide Dynamic Range	Extreme WDR (140 dB)
Image Enhancement	White Balance, Brightness, Contrast, Sharpness, Saturation, Backlight compensation (BLC), Digital Image Stabilizer (DIS, EIS)
Digital Noise Reduction	2D + 3D DNR
Privacy Mask	Yes
Text Overlay	Yes
Built-in Analytics	Deep Learning : Face Recognition, Face Detection, People Detection, Car Detection, Object Based Motion Detection, Tampering Detection, Object Line Crossing Detection, Object Area Counting, Intrusion Detection (Forbidden Area Detection), Missing Object Detection, Unattended Object Detection, Object Loitering Detection, People Counting, People Line Crossing Detection, People Enter Area Detection, People Incorrect Direction Detection, People Loitering Detection, People Tracking, Vehicle Counting, Vehicle Line Crossing Detection, Vehicle Enter Area Detection, Vehicle Incorrect Direction Detection, Vehicle Loitering Detection, Vehicle Tracking, Stopped vehicle detection, License Plate Detection, Automatic License Plate Recognition
Image Orientation	Flip, Mirror, Rotation (Corridor mode) (90°, 180°, 270°)

Audio

Audio Type	2-way, Line-in, Line-out
Audio Compression	G.711, G.726, AAC, PCM

Network

Network Protocol & Service	IPv4, IPv6, TCP, UDP, DHCP, PPPoE, HTTP, HTTPS, DDNS, NTP, RTP, RTSP, SMTP, FTP, IGMP, ICMP, ARP, UPnP, QoS, SNMP, IEEE 802.1X
Ethernet Port	1 x Ethernet (10/100/1000 Base-T), RJ-45 connector
Security	IP address filtering, HTTPS encryption, Password protected user level, IEEE 802.1X network access control

Event

Event Trigger	Video motion detection, External device through digital input, Sound detection, Intelligent event detection
Event Response	E-mail notification with snapshots, Save video to local storage, Upload snapshot to FTP server, Activate external device through digital output

System

Watchdog	Support
----------	---------

Integration

Unified Solution	Fully compatible with ACTi software
Edge Recording	Support (integration with NVR by ONVIF Profile G)
ONVIF Compliant	Yes, Profile S, Profile G, Profile T, Profile M
Web Browser	Microsoft Edge(IE mode), Microsoft Edge, Google Chrome, Firefox
Supported Countries	Japan / Taiwan

Storage

User Database	User Capacity: 10,000 (up to 5 images per person)
---------------	---

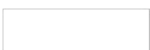
Interface

Audio Interface	1/1, Terminal block
Analog Video Output	1 x BNC connector
Local Storage	MicroSD, MicroSDHC, MicroSDXC Memory Card Slot (card not included, up to 256GB, Kingston or Sandisk only)
Digital Input/Output	4/2 (Terminal block)
Operating Button	Reset Button

General

Power Source	AC 24V, High PoE (IEEE802.3bt, Type 3, class 6) 60W
Power Consumption	High PoE: Max. 51W (by using all 4 pairs of standard Cat 5e or higher Ethernet cable), AC: Max. 59.05W, 87.12VA
Weight	3920g (8.64lb)
Dimensions	(Ø x H): 207mm x 300mm (8.15" x 11.81")
Environmental Casing	Weatherproof (IP66), Vandal proof metal casing (IK10)
Bundled Accessories	High PoE injector
Heater	Yes
Operating Temperature	-40°C ~50°C (-40°F ~ 122°F) heater on
Operating Humidity	10% - 90% RH

Approvals	CE Class A, FCC Class A, IP66, IK10 (metal casing)
Color	White
Real-time Clock (RTC)	Yes
Warranty	3 Year(s) (1 year in continuous motion). For extended warranty offering, see http://www.acti.com/support/warranty

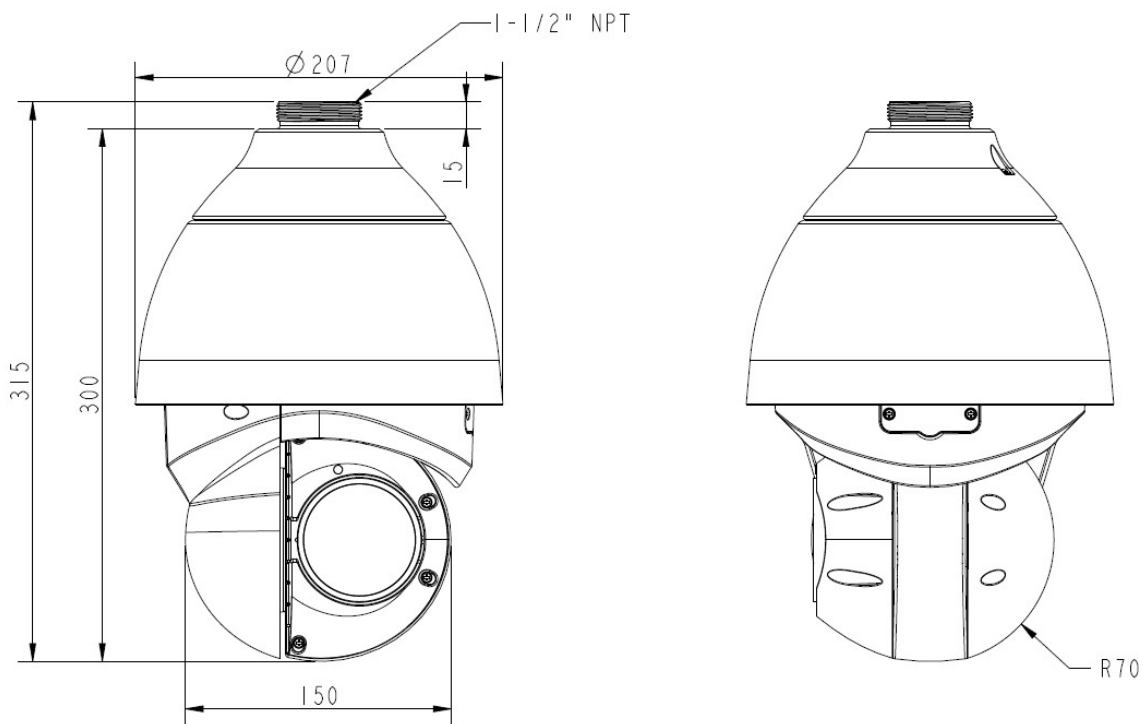


► Photo Indication



- 1 Memory Card Slot
- 2 Analog Video Output
- 3 Digital Input / Output and Audio Input / Output
- 4 Ethernet Port
- 5 AC 24V Power Input
- 6 Reset Button

► Dimension Diagram



Unit: mm [inch]

▶ Related Products

Mounting Accessories - Camera Mount

PMAX-0115



Pendant Mount (for A950, A951, A952, A956, Z950, Z952)

PMAX-0346



Heavy Duty Wall Mount with Converter Ring (for Q75, A950, A951, A952, A956)

PMAX-0402



Corner Mount

PMAX-0531



Pole mount for A951

PMAX-0702



Junction Box for PTZ and Dome Cameras

Note: Some mounting accessories may need additional accessories for installation. Please check www.acti.com/mountingselector for more information.

Power Supply Accessories - PoE Injector

PPOE-0103



High PoE Injector, Single-port, 60W Gigabit Midspan, 4-Pairs, 802.3at Compliant, AC 100~240V, with universal connectors (for, I93~I910, I915, B915~B917, B922, B928, B945, B949, A950, A951)

PPOE-0104



High PoE Injector, Single-port, 10/100/1000Mbps 60W, 4-Pairs, 802.3at Compliant, AC 100~240V, with universal connectors (for, I93~I910, I915, B915~B917, B922, B928, B945, B949, A950, A951)