

ANT-5G-OSM-03 Series

3 dBi LTE/5G NR omnidirectional adhesive antennas for LTE and 5G NR applications



Features and Benefits

- Supports all global 5G bands
- Lightweight
- 1 m, 1.5 m, 2 m options available
- Flexible installation
- SMA connector (male) supported

Introduction

The ANT-5G-OSM-03 Series is a lightweight omnidirectional antenna with adhesive tape, suitable for LTE and 5G NR bands. The antenna provides a gain of 4 dBi and is designed to operate in temperatures ranging from -30 to 70°C.

Specifications

Antenna Characteristics

Frequency	617 to 960 MHz 1452 to 2690 MHz 3300 to 5850 MHz 5850 to 7150 MHz
Antenna Type	Omni-directional
Typical Antenna Gain	1.5 dBi @ 617 to 960 MHz 4 dBi @ 1452 to 2690 MHz 4 dBi @ 3300 to 5850 MHz 4 dBi @ 5850 to 7150 MHz
Connector	SMA (male)
Impedance	50 ohms
Polarization	Vertical Linear
V.S.W.R.	≤ 2.5 @ 617 to 960 MHz ≤ 2.0 @ 1452 to 2690 MHz ≤ 2.0 @ 3300 to 5850 MHz ≤ 2.5 @ 5850 to 7150 MHz

Physical Characteristics

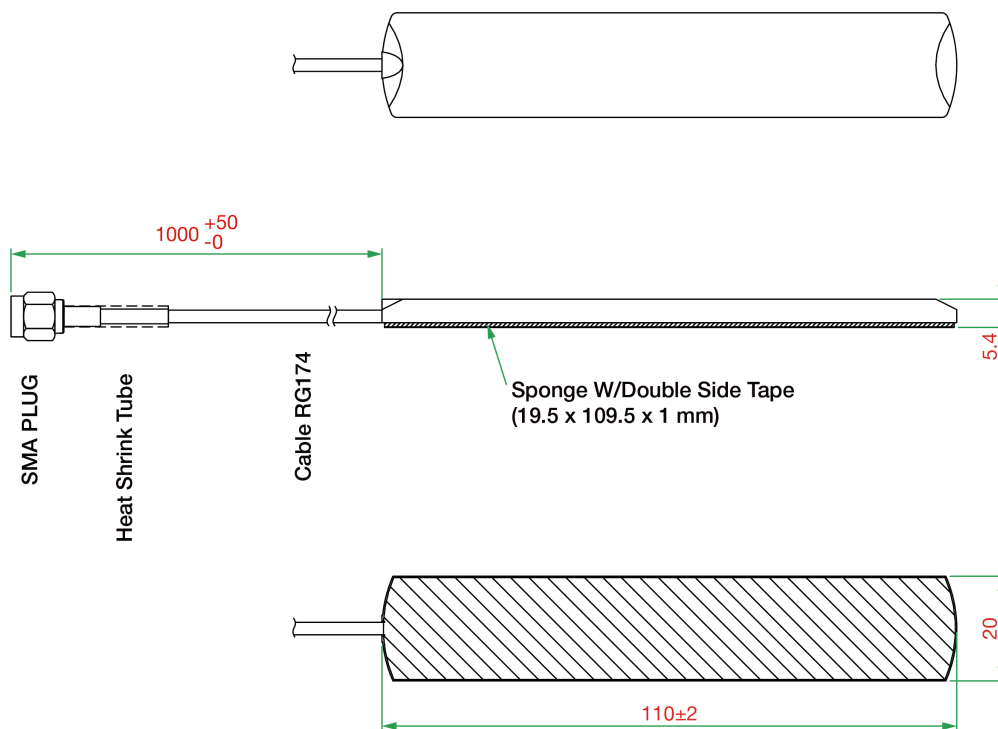
Weight	24 g (0.05 lb)
Dimensions	110 x 20 x 5.4 mm (4.33 x 0.79 x 0.21 in)
Radome Color	Black
Radome Material	Plastic

Cable	RG-174
Cable Length	ANT-5G-OSM-03-1m: 1 m ANT-5G-OSM-03-1.5m: 1.5 m ANT-5G-OSM-03-2m: 2 m
Installation	Adhesive mount
Environmental Limits	
Operating Temperature	-30 to 70°C (-22 to 158°F)
Storage Temperature (package included)	-40 to 85°C (-40 to 185°F)
Ambient Relative Humidity	5 to 95% (30°C, non-condensing)
Warranty	
Warranty Period	1 year
Details	See www.moxa.com/warranty

Dimensions

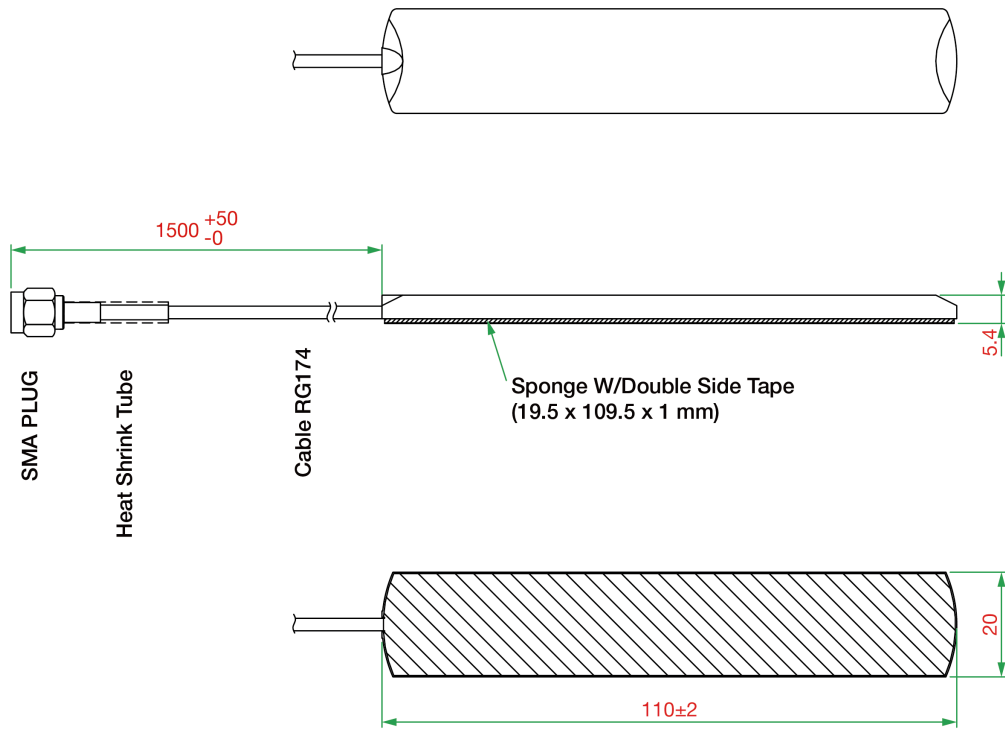
ANT-5G-OSM-03-1m

Unit: mm



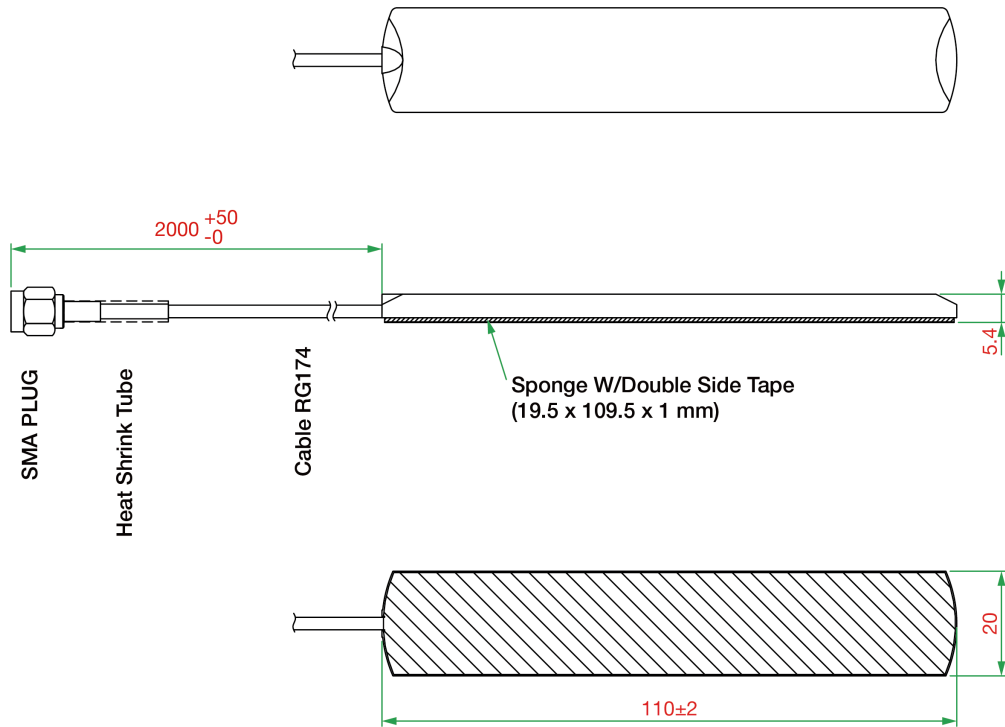
ANT-5G-OSM-03-1.5m

Unit: mm



ANT-5G-OSM-03-2m

Unit: mm



Ordering Information

Model Name	Frequency	Cable Length	Antenna Gain	Connector Type
ANT-5G-OSM-03-1m	617 to 960 MHz 1452 to 2690 MHz 3300 to 5850 MHz 5850 to 7150 MHz	1 m	0.39 dBi @ 617 to 960 MHz 2.92 dBi @ 1452 to 2690 MHz 2.06 dBi @ 3300 to 5850 MHz 0.50 dBi @ 5850 to 7150 MHz	SMA (male)
ANT-5G-OSM-03-1.5m	617 to 960 MHz 1452 to 2690 MHz 3300 to 5850 MHz 5850 to 7150 MHz	1.5 m	-0.36 dBi @ 617 to 960 MHz 2.01 dBi @ 1452 to 2690 MHz -1.49 dBi @ 3300 to 5850 MHz -1.35 dBi @ 5850 to 7150 MHz	SMA (male)
ANT-5G-OSM-03-2m	617 to 960 MHz 1452 to 2690 MHz 3300 to 5850 MHz 5850 to 7150 MHz	2 m	-0.83 dBi @ 617 to 960 MHz 1.35 dBi @ 1452 to 2690 MHz -2.70 dBi @ 3300 to 5850 MHz -3.14 dBi @ 5850 to 7150 MHz	SMA (male)

© Moxa Inc. All rights reserved. Updated Jan 31, 2024.

This document and any portion thereof may not be reproduced or used in any manner whatsoever without the express written permission of Moxa Inc. Product specifications subject to change without notice. Visit our website for the most up-to-date product information.