

TECHNICAL CHARACTERISTICS

MATERIAL
 INSULATOR: PA 66
 FLAMABILITY RATING: UL94-V0
 COLOR: GREEN
 METAL HOUSING: BRASS (CuZn)
 TERMINAL SCREW: STEEL ZINC PLATING
 TERMINAL SCREW SLOT TYPE: "A"
 WIRE GUARD: PbZn TIN PLATED

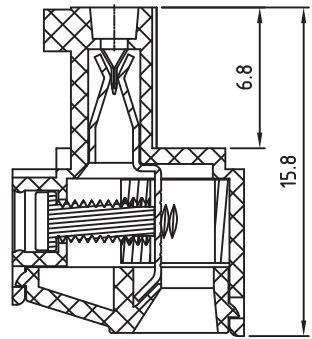
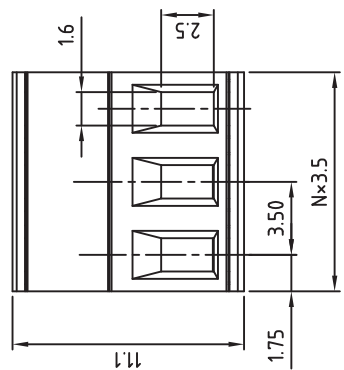
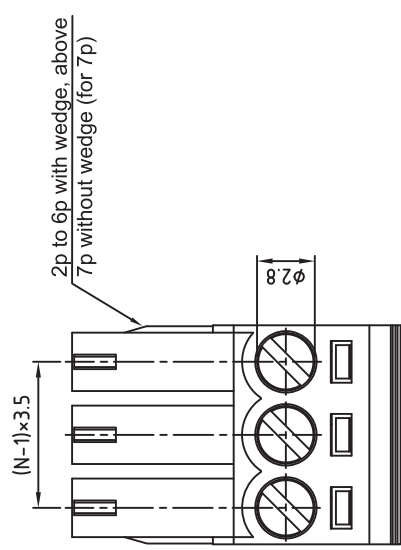
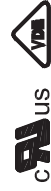
ENVIRONMENTAL
 OPERATING TEMPERATURE: -40 UP TO 105°C
 COMPLIANCE: LEAD FREE AND ROHS

ELECTRICAL
 cULus
 CURRENT RATING: 10A
 WORKING VOLTAGE: 300VAC
 WITHSTANDING VOLTAGE: 1.6KV
 CONTACT RESISTANCE: 20 mOhm max

MECHANICAL
 SOLID WIRE: 26-16 AWG / 0.13-1.5MM²
 STRANDED WIRE: 26-16 AWG / 0.13-1.5MM²
 TORQUE: 3.0Lb-In / 0.34Nm

WIRE STRIPE LENGTH: 6-7MM
 SCREW: M2.0
 PITCH: 3.5MM

PACKAGING: BOX
 SERIE 3611
 CERTIFICATION



RoHS Compliant									
G									
F									
E									
D									
C									
B									
A	31-OCT-08	PDF	JP						
REV	DATE	FILE	BY						

PROJECTION:									
APPROVAL: RJ									

GENERAL TOLERANCE	.X = +/ 0.2 .XX = +/ 0.15
UNIT: MM	
SCALE:	
SHEET: 1/1	
DRAW: MARVIN	



DESCRIPTION: SERIE 3611 - 3.50MM VERTICAL CABLE ENTRY PLUG
 1.5MM² WIRES WR-TBL
 WERI PART NO: 691 361 100 0xx

SIZE
A4