

35mm DIN to Panel Mount Adapter Bracket - 25mm

Model DRPM25

B+B SMARTWORX

Powered by

ADVANTECH

www.advantech-bb.com



DRPM25 shown mounted on product
(product not included)

- + Panel-mount your DIN rail designed devices
- + Convenient, easy-to-use mounting solution
- + 1018 carbon steel, clear zinc plated

DESCRIPTION

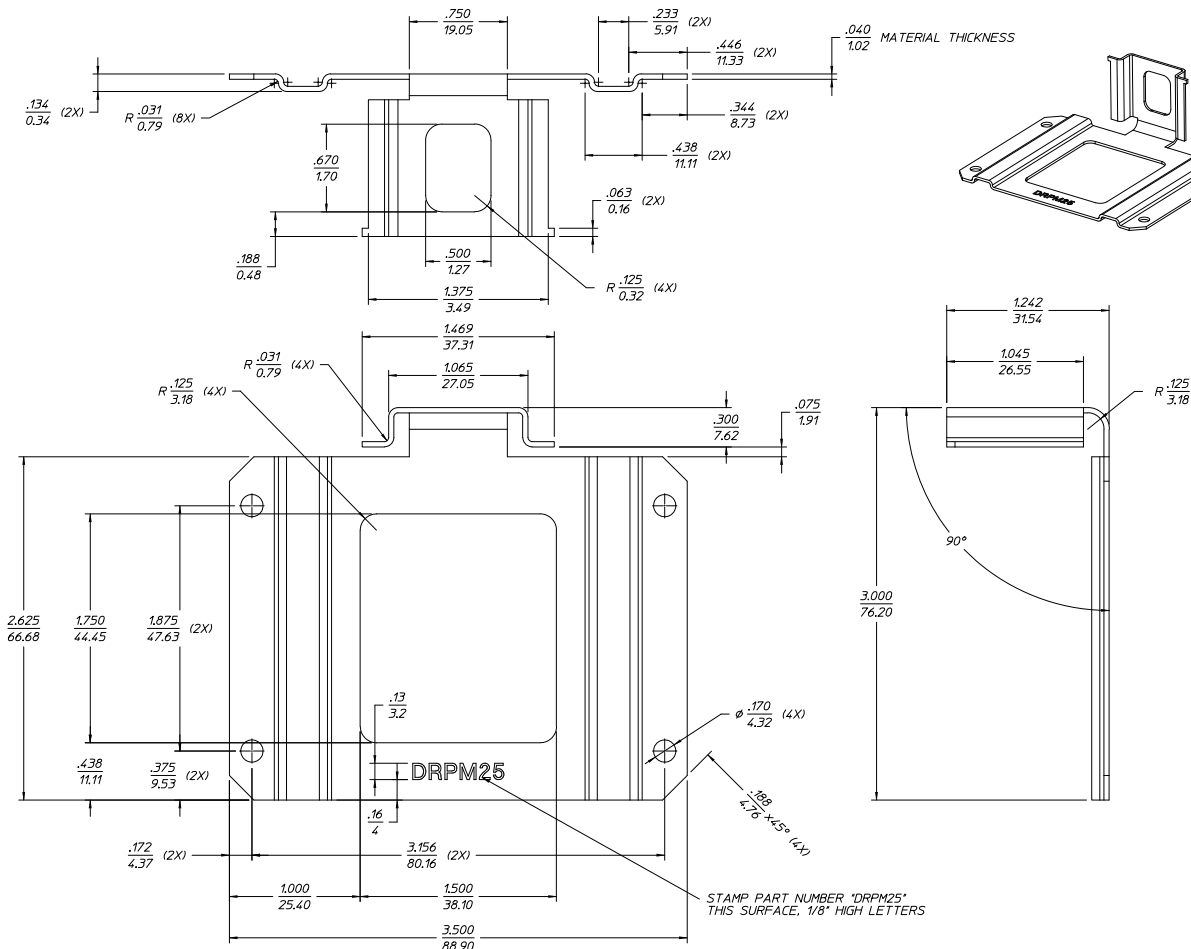
With its user-friendly design, Model DRPM25 allows you to panel mount DIN rail devices anywhere. Just attached the plate-side of the bracket to any surface like a sub-panel, wall or shelf. Then, snap your DIN mount device onto the bracket's DIN rail extension. Challenging installation problems are handled easily and securely.

ORDERING INFORMATION

| MODEL NUMBER | DESCRIPTION |
|--------------|---|
| DRPM25 | 35mm DIN Rail to Panel Mount Bracket, 25mm wide |

MECHANICAL DRAWING

Units - cm



All product specifications are subject to change without notice.

DRPM25_5117ds

B+B SMARTWORX

Powered by

ADVANTECH

orders@advantech-bb.com
support@advantech-bb.com

Corporate Headquarters: 707 Dayton Road, PO Box 1040 Ottawa, IL 61350 USA 815-433-5100 Fax 433-5104
European Office: Westlink Commercial Park, Oranmore Co. Galway Ireland +353 91 792444 Fax +353 91 792445