

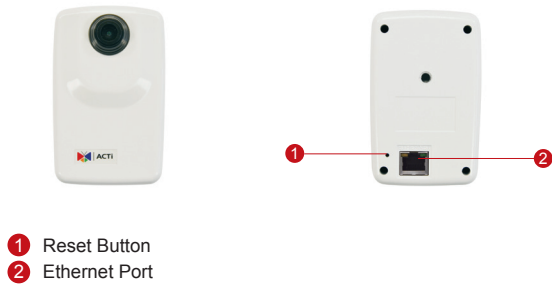
D11

1MP Cube with Fixed Lens

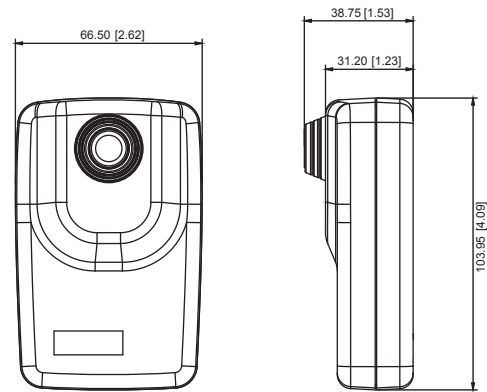


- 1 Megapixel with 720p
- Fixed Lens with f3.6mm / F2.0
- 30 fps at 1280 x 720

PHOTO INDICATION




DIMENSION DIAGRAM



Unit: mm [inch]

ACCESSORY OPTIONS

Lens		
PLEN-0129		Fixed Iris, F2.0, f2.93 mm, 70.3°
PLEN-4101		Fixed Iris, F2.8, f1.9 mm, 105°

Power Supply		
PPOE-0001		IEEE 802.3af PoE Injector for Class 1, 2 or 3 devices, with universal adapter

PRODUCT SPECIFICATION**D11****• Device**

Device Type	Cube Camera
Image Sensor	Progressive Scan CMOS
Sensor Size	1/4"
Effective Pixels	1280 (H) x 800 (V) (1.02 MP)
Day / Night	No
Low Light Sensitivity	Standard
Minimum Illumination	Color: 0.1 lux at F2.0 (30 IRE, 2400 °K)
Mechanical IR Cut Filter	No
IR Sensitivity Range	No
Electronic Shutter	1/5 ~ 1/2,000 sec (manual mode); 1/5 ~ 1/10,000 sec (auto mode)
TV Lines	700
S/N Ratio	52 dB

• Lens

Focal Length / Aperture	Fixed focal, f3.6mm / F2.0
Iris	Fixed iris
Focus	Fixed focus
Mount Type	Board mount
Horizontal Viewing Angle	60.2°

• Video

Compression	H.264 (Baseline / Main / High profile), MJPEG
Max. Frame Rate vs. Resolution	30 fps at 1280 x 720; 30 fps at 800 x 600; 30 fps at 640 x 480; 15 fps at 320 x 240
Multi-Streaming	Simultaneous dual streams based on two configurations
Bit Rate	28 Kbps - 6 Mbps (per stream)
Bit Rate Mode	Constant, Variable
Image Enhancement	White balance: automatic, hold, and manual; Brightness; Contrast; Sharpness (auto); Auto gain control; Digital noise reduction; Flickerless
Privacy Mask	4 configurable regions
Text Overlay	User defined text on video
Image Orientation	Image flip and mirror

• Network

Protocol & Service	TCP, UDP, HTTP, HTTPS, DHCP, PPPoE, RTP, RTSP, IPv4, IPv6, DNS, DDNS, NTP, ICMP, ARP, IGMP, SMTP, FTP, UPnP, SNMP, Bonjour
Ethernet Port	1, Ethernet (10/100 Base-T), RJ-45 connector
Security	IP address filtering; HTTPs encryption; Password protected user levels; Anonymous login; IEEE802.1X network access control

• Alarm

Alarm Trigger	Video motion detection (3 regions)
Alarm Response	Notify control center; Change camera settings; Command other devices; E-mail notification with Snapshots; Upload video or snapshot to FTP server

• General

Power Source / Consumption	PoE Class 1 (IEEE802.3af) / 2.95 W
Weight	140 g (0.31 lb)
Dimensions (W x H x D)	66.50 mm x 103.95mm x 38.75mm (2.62" x 4.09" x 1.53")
Bundled Accessories	Bracket
Mount Type	Wall, Ceiling
Starting Temperature	-10°C ~ 45°C (14°F ~ 113°F)
Operating Temperature	-10°C ~ 45°C (14°F ~ 113°F)
Operating Humidity	10% ~ 85% RH
Approvals	CE (EN 55022 Class B, EN 55024), FCC (Part15 Subpart B Class B), UL (for optional PoE injector)

• Integration

Unified Solution	Fully compatible with ACTi software
ISV Integration	Software Development Kit (SDK) available; ONVIF compliant
GPS Position	Manual setting
Firmware Access Browser	Microsoft Internet Explorer 8.0 or newer (full functionality) Safari with QuickTime installed, and other browsers with VLC installed (partial functionality)