

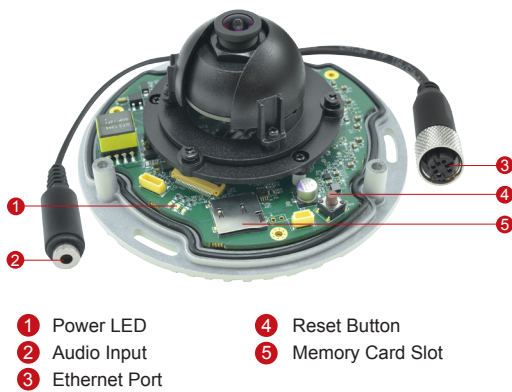
E922M

10MP Outdoor Mini Dome with Basic WDR, M12 Connector, Fixed Lens

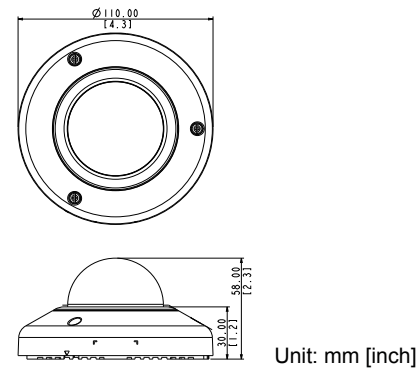


- 10 Megapixel with 4K/1080p
- Fixed Lens with f3.6 mm / F1.8
- Basic WDR (70 dB)
- 30 fps at 1920x1080
- Super Wide Angle
- Weatherproof (IP68), Vandal Proof (IK10) and Vibration Proof (EN50155, M12 Connector)


PHOTO INDICATION




DIMENSION DIAGRAM



ACCESSORY OPTIONS

Dome Cover		
PDCX-1110		2-inch, smoke, non-vandal proof

Gang Box Converter		
PMAX-0805		White, Aluminum, Supporting 4" round and 4" octagon box types

PRODUCT SPECIFICATION**E922M****• Device**

Device Type	Outdoor Mini Dome
Image Sensor	Progressive Scan CMOS
Sensor Size	1/2.3"
Effective Pixels	3856 (H) x 2764 (V) (10.66 MP)
Horizontal Resolution	1450 TVL
Day / Night	No
Low Light Sensitivity	Standard
Minimum Illumination	Color: 0.1 lux at F1.8 (30 IRE, 2400°K)
Mechanical IR Cut Filter	No
IR Sensitivity Range	No
IR LED	No
Electronic Shutter	1/5 ~ 1/2,000 sec (manual mode); 1/5 ~ 1/10,000 sec (auto mode)
S/N Ratio	52 dB

• Lens

Focal Length / Aperture	Fixed focal, f3.6 mm / F1.8
Iris	Fixed iris
Focus	Fixed focus
Lens Mount	Board mount
Horizontal Viewing Angle	101.4°
Viewing Angle Adjustment	Pan: ±90°; Tilt: 0°~90°

• Video

Compression	H.264 (Baseline/ Main/ High profile), MJPEG
Max. Resolution vs. Frame Rate	6 fps at 3648 x 2736; 6 fps at 3648 x 2160; 6 fps at 2592 x 1944; 7 fps at 2048 x 1536; 30 fps at 1920 x 1080; 30 fps 1280 x 720; 30 fps at 640 x 480; 15 fps at 320 x 240
Multi-Streaming	Simultaneous dual streams based on two configurations
Bit Rate	28 Kbps - 6 Mbps (per stream)
Bit Rate Mode	Constant, Variable
Image Enhancement	Basic WDR (70 dB); White balance: automatic, hold, and manual; Brightness; Contrast; Sharpness (auto); Auto gain control; Digital noise reduction; Flickerless
Privacy Mask	4 configurable regions
Text Overlay	User defined text on video
Image Orientation	Image flip and mirror

• Audio

Audio Input	Mic-in and line-in, cable with 3.5mm phone jack
-------------	---

• Network

Protocol & Service	TCP, UDP, HTTP, HTTPS, DHCP, PPPoE, RTP, RTSP, IPv4, IPv6, DNS, DDNS, NTP, ICMP, ARP, IGMP, SMTP, FTP, UPnP, SNMP, Bonjour
Ethernet Port	1, Ethernet (10/100 Base-T), M12 connector
Security	IP address filtering; HTTPS encryption; Password protected user levels; Anonymous login; IEEE 802.1X network access control

• Alarm

Alarm Trigger	Video motion detection (3 regions)
Alarm Response	Notify control center; Change camera settings; Command other devices; E-mail notification with snapshots; Save video or snapshot to local storage; Upload video, Snapshot to FTP

• Interface

Local Storage	MicroSDHC/MicroSDXC memory card slot (card not included)
---------------	--

• General

Power Source / Consumption	PoE Class 2 (IEEE802.3af) / 3.84W
Weight	429 g (0.946 lb)
Dimensions (Ø x H)	110 mm x 60 mm (4.3" x 2.4")
Environmental Casing	Weatherproof (IP68 rated); Vandal proof (IK10 rated); Vibration proof (EN50155); Transparent dome cover
Mount Type	Surface, Wall, Pendant, Gang box
Starting Temperature	-20°C ~ 50°C (-4°F ~ 122°F)
Operating Temperature	-20°C ~ 50°C (-4°F ~ 122°F)
Operating Humidity	10% ~ 85% RH
Approvals	CE (EN 55022 Class B, EN 55024), FCC (Part15 Subpart B Class B), IK10, IP68, NEMA 4X, EN50155

• Integration

Unified Solution	Fully compatible with ACTI software
ISV Integration	Software Development Kit (SDK) available ; ONVIF compliant
Firmware Access Browser	Microsoft Internet Explorer 8.0 or newer (full functionality); Safari with QuickTime installed, and other browsers with VLC installed (partial functionality)
Auto Firmware Upgrade	Yes
GPS Position	Manual Setting