



ET-7042

16-channel Sink Type Open Collector Isolated Digital Output Module

DC Digital Output

Features

- Built-in Web Server
- Communication Security
- Modbus/TCP Protocol
- 2-way Isolated Noise/Surge Protection
- Built-in Dual Watchdog
- 10 / 100 Base TX Ethernet
- I/O Pair Connection
- DO type: 16 Isolated Open Collector (Sink Type)



Introduction

The ET-7042, a web-based Ethernet I/O module, features a built-in web server, which allows configuration, I/O monitoring and I/O control by simply using a regular web browser. Besides, with the web HMI function, no more programming or HTML skills are needed; creating dynamic and attractive web pages for I/O monitoring and I/O control would be fun to engineers ever after. The ET-7042 offers easily and safely access for users from anytime and anywhere! In addition, the ET-7042 also supports Modbus/TCP protocol that makes perfect integration for ET-7042 to SCADA software.

The ET-7042 provides 16 isolated open collector (sink type) output channels. Each output channel supports 100mA current driving @5~30Vdc.

Applications

Building Automation, Factory Automation, Machine Automation, Remote Maintenance, Remote diagnosis, Testing Equipment

I/O Specifications

Digital Output	
Channels	16
Output Type	Sink, Open Collector
Output Voltage	+5Vdc to 30Vdc
Output Current	100mA per channel, Direct drive power relay module

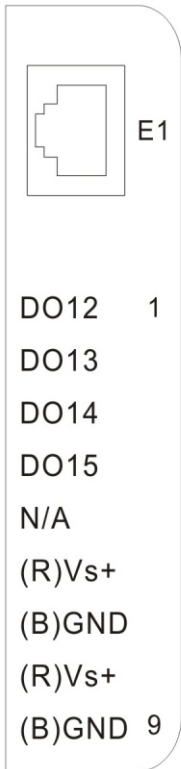
System Specifications

System	
CPU	80186 CPU (80MHz)
SRAM	512K Bytes
Flash Memory	512K Bytes
EEPROM	16K Bytes
Dual Watchdog	Yes
Communication LED Indicator	
Ethernet Port	10 / 100 Base TX (With Link, Activity LED Indicator) Automatic MDI/MDI-X Crossover
2 Way Isolation	
Ethernet	1500 Vrms
DO	3750 Vrms
Mounting	
Din Rail Mount	Yes
Wall Mount	Yes
Power Requirements	
Protection	Power reverse polarity protection
Required Supply Voltage	+10Vdc to 30Vdc (non-regulated)
LED Indicator	Yes
Power Consumption	0.12A/24Vdc Max.
Environment	
Operating Temperature	-25 ~ +75 °C
Storage Temperature	-30 ~ +80 °C
Relative Humidity	5% to 90% Non-condensing
Dimensions	
Dimensions(W x H x D)	123 mm x 72 mm x 33 mm

ET-7042

DC Digital Output

Pin Assignment

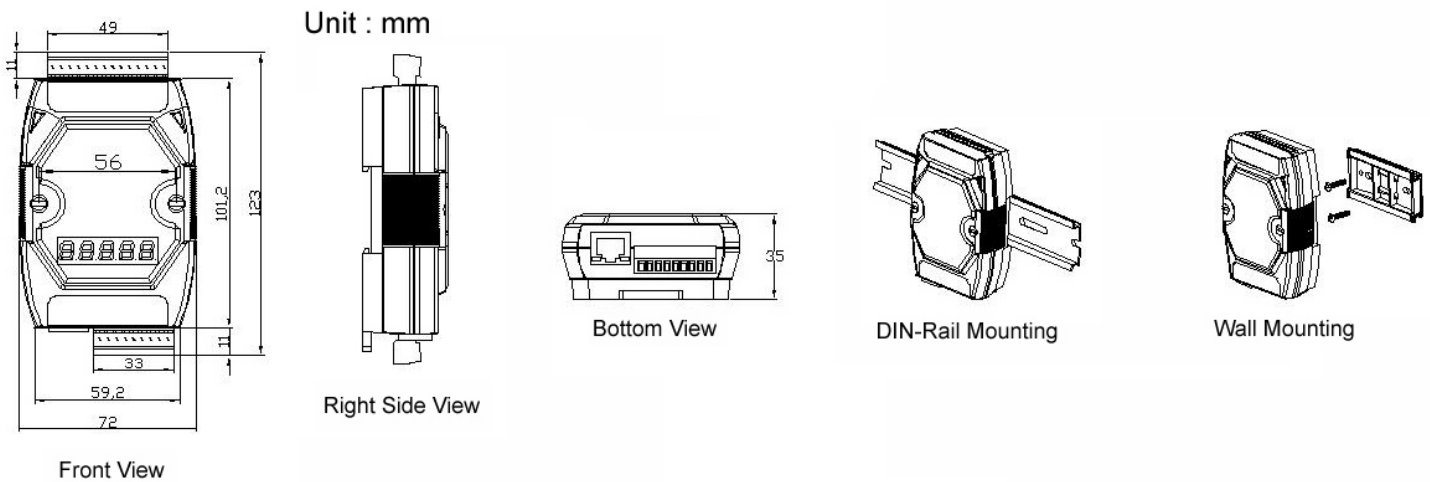


- 23 DO11
- DO10
- DO9
- DO8
- DO7
- DO6
- DO5
- DO4
- DO3
- DO2
- DO1
- DO0
- DO.GND
- 10 DO.PWR

Wire Connection

Output Type	Readback as 1	Readback as 0
Drive Relay	Relay ON	Relay Off
Resistance Load		

Dimensions



Ordering Information

ET-7042 CR 16-channel Sink Type Open Collector Isolated Digital Output Module (RoHS)

Accessories

GPSU06U-6	24V/0.25A output power supply
MDR-20-24	24V/1A output power supply with DIN-Rail
NS-205 CR	Unmanaged 5-Port Industrial Ethernet Switch



GPSU06U-6



MDR-20-24



NS-205 CR