

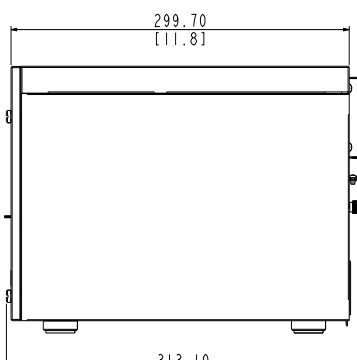
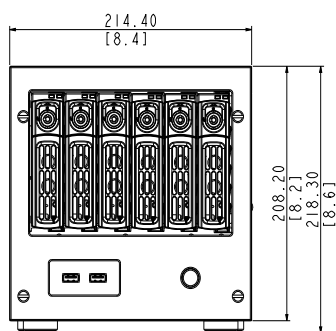
GNR-310

64-Channel 6-Bay RAID Tower Standalone NVR



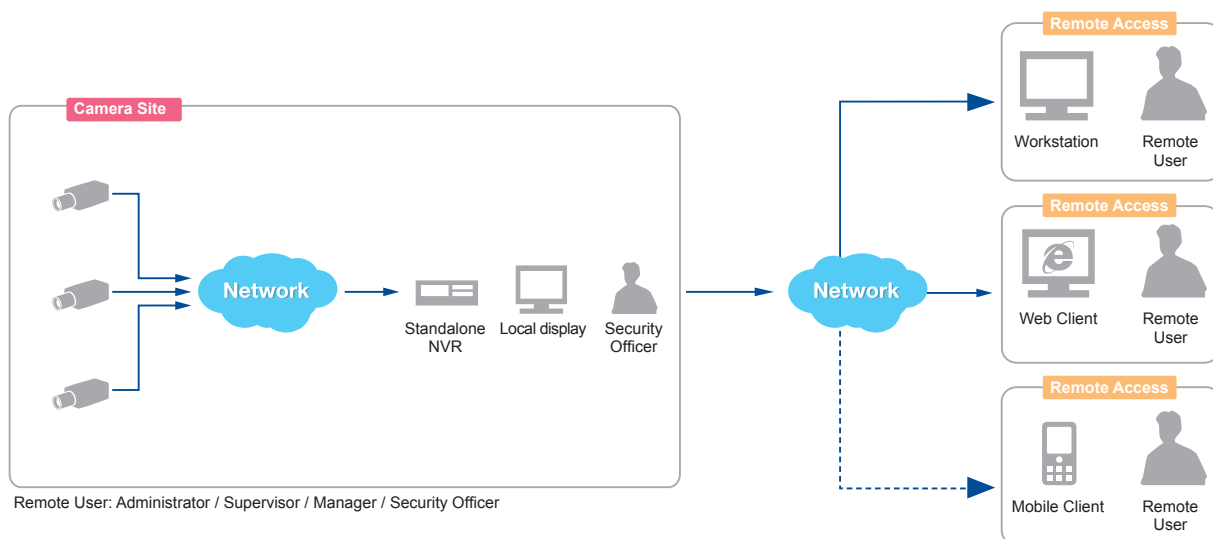
- 6-bay tower with hardware RAID (0, 1, 5, 10)
- Manage up to 64 cameras or video encoders
- Recording up to 64 channels
- Both Local and Remote Live view supported
- Integrate with POS systems, access control and network I/O
- Synchronized playback local up to 9 channels, remote up to 64 channels
- Export video with RAW and AVI formats
- Event trigger, response and notification
- Mobile Client, Web Client, Workstation
- Location-based management with eMap
- 32-channel free license included
- Non-ACTi camera support via licensed Camera Device Pack

DIMENSION DIAGRAM



Unit: mm [inch]

SOLUTION ARCHITECTURE



PRODUCT SPECIFICATION**GNR-310****• General**

Full Name	ACTi Standalone Network Video Recorder GNR-310
Maximum Number of Clients	1 local, 5 remote
Maximum Number of Cameras	64 Channels
Maximum Number of POS Devices	64 Channels
Maximum Number of Access Control and Network I/O Devices	64 Channels
Free License	32 Channels
Compression	H.265, H.264, MPEG-4, MJPEG
Maximum Local Display Resolution	1920 x1080

• Live View

Display Layout Mode	Local: 1, 4, 5, 6, 8, 9, 10, 12, 16 Remote: 1, 4, 5, 6, 8, 9, 10, 12, 16, 18, 24, 25, 35, 36, 48, 49, 64
Local Live View Performance	Please check "Standalone NVR Performance Validator" (http://www.acti.com/SANVRPerformance)
View Manager	An interface to define display layouts and the pre-set cameras within layout in the public or private view
View Patrol	Automatic switch between different views or devices
View Panel	Contains the list of pre-defined views for quick launch
Digital Zoom	Zoom in/out digitally by PiP (Picture-in-Picture)
Camera Tree	Drag and drop video source from camera tree into display layout; display camera status on the tree
Manual Recording / Snapshot	recording upon mouse click / Instant snapshot upon mouse click or hot key
Event Panel	Display event status upon alarm or upon connection loss or recovery between server and client or when the allocated disk space is full or Point-of-sale (POS), Access control and Network I/O status
Two-Way Audio	Audio sound from and to all the audio supported devices; audio broadcast to multiple devices at the same time
Multiple Stream Management	Live view of stream 1, stream 2 or stream 3 of multi-stream devices
Instant Playback	Instant playback in live view window
Web Controller	Display and connect to pre-configured embedded website

• e-Map

Layout	Area maps with camera icons, small live view windows; hyperlinked
e-Map Type	Google Maps; Static Map (JPG image)
Setup	e-Map image upload; Google maps settings and preset management; camera positioning; vision angle and pointed direction of camera; view positioning; source positioning; extended devices for Point-of-sale (POS), Access control and Network I/O
PTZ Mode	Mouse PTZ mode to control e-Map video streams

• PTZ

Control	Pan, tilt and zoom controls; speed control; both buttons and mouse controls
Preset Points and Tours	Create preset points; create auto tours between preset points
Number of Preset Points	32
Joystick	USB based joystick supported
Default Protocol	Auto-detect camera's PTZ protocol. Available protocols: ACTi, Pelco-P, Pelco-D, Dynacolor, Visca

• Recording

Recording Throughput	Maximum total bitrate 300 Mbps
Scheduled Recording	Record video with user defined schedule
Event Recording	Record video when the alarm event is triggered, including the pre-event buffered video clip
Speed Up	Different recording frame rate settings for non-event and triggered event
Manual Recording	Instant recording upon mouse click
Pre-Event Recording	User-defined time period to record before event occurs, and the maximum buffer is 60 seconds (default 5 seconds)
Post-Event Recording	User-defined time period to record after event occurs, and the maximum buffer is 3600 seconds (default 30 seconds)
Multiple Stream Management	Recording of stream 1, stream 2 or stream 3 of multi-stream devices
Recording Frame Rate	Max 1920 fps total; Max 30 fps per camera

• Storage

Interface	Serial ATA
Bundled System HDD	Kingston 120GB 2.5" SATA SSD
HDD Bay	6 (1 bay is occupied by system HDD)
RAID Level	Hardware RAID 0, 1, 5, 10
External Storage Support	eSATA, iSCSi, USB mass storage (USB 2.0)

• Search & Playback

Recording Search	Search video recordings by time, events (motion, DI, Video Status, Network Status, Manual Recordings, extended device status, event confirm status with invalid or valid), channel, bookmark, notification and listed as clickable time-based thumbnails for full-size view and snapshot download
Playback Control	Continuous forward and backward playback with speeds 1x/2x/4x/8x/16x or frame-by-frame; pause; stop
Synchronized Playback	Up to 9 channels for local display; Up to 64 channels for remote client
Manual Snapshot	Instant snapshot from playback upon mouse click
Digital Zoom	Zoom in/out digitally by PiP (Picture-in-Picture)
Smart Search	Smart search of recorded video by Motion Detection and Tamper
Video Cropping	Crop a short video clip from long recording file and save it as an independent file
Video Export	Export video clips in EXE, AVI or RAW format; text overlay and Point-of-sale (POS) transaction data supported

GNR-310

• Event Management

Event Trigger	NVR: Disk full, Disk not found, Disk is available, Schedule service start/stop, Video Push start/stop, CPU limit exceeded Video Device: Video motion detection, Passive IR sensor, External device through digital input, Sound detection, Intelligent event detection, Video Push start/stop, Video loss and Recovery, Network loss and recovery Extended Device: Point-of-sale (POS) status, Network I/O status, Access control allowed/denied, Car park status
Event Response	Pop-up window with live video and event confirmation activation, Switch to hotspot window, Switch to customize view, Command a PTZ device to go to a preset point, Play alert sound, Activate external device through digital output, Execute system command to activate other programs, Upload video or snapshot to FTP server, E-mail notification with snapshots, Push notification
Manual Event	Manually activate external devices through digital output via live view monitor
Event Handling	Define the schedule of event manager

• System

Permission Control	Unlimited number of users, Active Directory, Customizable permissions for user groups, Account lockout, Playback password protected, Password validity period
Language	Multi-language support
Language Import/Export	Possibility to import or export language packs for convenient local language management
Customizable User Interface	Define the layout of user interface for live view and playback
Quick Setup	Configure basic settings of NVR
GPS Position	Manual setting

• Remote Access

PC Client Program	User interface program (Workstation) with live view, PTZ, playback, e-Map, video push, event management, setup
PC Operating System	Windows 7, Windows 8, Windows 10, Windows Server 2008, Windows Server 2012
PC Web Browser	Microsoft Internet Explorer with live view, PTZ, playback, e-Map, video push, event management, setup
Mobile Client Program	Mobile device application (Active Mobile Client) supports live view, PTZ control, video push, event or time based search and playback; Supported devices: iPhone, iPad, iTouch and Android device

• Network

Ethernet Port	Total ports: 2 port(s) Non-PoE: 2 port(s), Ethernet (100/1000 Base-T), RJ-45 connector
---------------	---

• Hardware

CPU	Intel Celeron J1900
Dimensions (W x H x D)	(W x H x D): 214mm x 218.3mm x 315mm (8.425" x 8.594" x 12.401")
Weight	6.32 kg (13.93 lb)
Operating Temperature	0°C~ 40°C (32°F ~ 104°F)
Power Source	AC100V~240V, 50/60Hz
Approvals	CE (EN 55022 Class B, EN 55024), FCC (Part15 Subpart B Class B)
USB	2 x USB 2.0 (Front panel) & 4 x USB3.0 (Rear panel)
Audio Port	MIC-in; Line-out
eSATA Port	1
Display Port	1 x displayport; 1 x VGA; 1 x HDMI

• Integration

Unified Solution	Fully compatible with ACTi cameras, encoders, central management system, TV wall and intelligent video surveillance software
Open Platform Solution	Support ONVIF compliant devices
ISV CMS Integration	Software Development Kit (SDK) available
Third-Party Integration	Point-of-sale (POS), Access control, Network I/O, Car Park
Licensing Part Numbers	ACTi video device license: LNVR3003 Third-party video device integration license: LCDP1003 POS device integration license: LPOS3000 Access control and network I/O device integration license: LEXD3000