



Model I-7014D with LED display

Model I-7014, I-7014D

Analog / Transmitter Input Module

with LED Display (I-7014D)

I-7000 is a family of network data acquisition and control modules. They provide analog to digital, digital to analog, digital input/output, timer/counter and other functions. The modules can be remotely controlled by a set of commands.

The I-7014 is a single channel analog input module with high/low alarm function and supports Linear Mapping function and +15V loop power for transmitter swith

The I-7014D is a I-7014 with 4 1/2 digital LED display.

Specifications

Analog Input

- Photo-isolation: 3750 Vrms
- Type: mV, V, mA
- Channels: 1
- Voltage range: +/-150mV, +/- 500mV, +/-1V, +/- 5V, +/-10V
- Current range: +/- 20mA
- Resolution: 16 bits
- Sampling rate: 10 Samples/Second
- Bandwidth: 5.24 Hz
- Input impedance: 20M ohms
- Accuracy: ±0.05%
- Zero Drift: ± 20uV/°C
- Span Drift: ±25ppm/°C
- Isolated loop power: +15VDC @ 30mA
- CMR @ 50/60 Hz: 150 dB
- NMR @ 50/60 Hz: 100 dB
- Line input converter
- Over voltage protection: 10V (P-P)
- Isolation: 3000Vrms

Digital Input

- Channel: 1
- Logic Level 0: + 1V max
- Logic Level 1: + 3.5V to 30V

Event Counter

- Max Input Frequency: 50Hz
- Min. Pulse Width: 1 mS

Digital Output

- Channels: 2
- Open collector to 30V
- Output Load: sink 30mA max.
- Power dissipation: 300mW

Feature/Benefits

- 3000VDC isolated analog input
- 24bit sigma-delta ADC to provide excellent accuracy
- Thermocouple direct connect with built-in CJC
- Software calibration
- Dual Watchdog

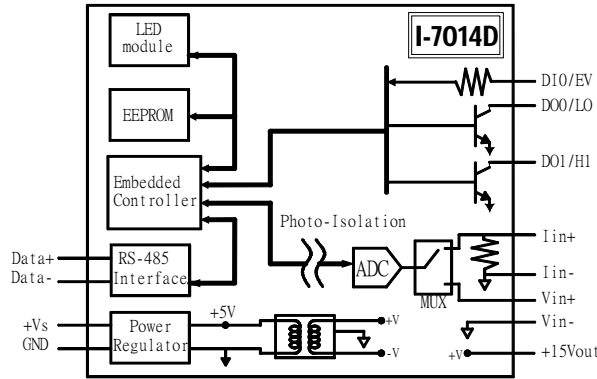
PIN Assignments

+15Vout	1	20	DO1/HI
lin+			DIO/EV
lin-			DO0/LO
INIT*			
(Y)DATA+			
(G)DATA-			+15Vout
(R)+Vs			Vin-
(B)GND	10	11	Vin+





Block Diagram



LED Indication 4 1/2 digits (only for I-7014D)

RS-485 Connector

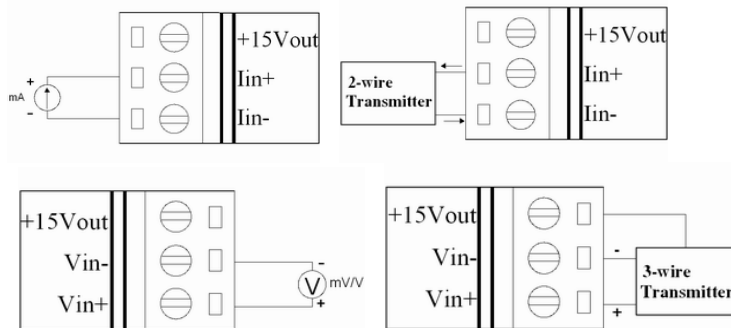
Asynchronous 2-wire half-duplex
Pluggable terminal block: Pitch 5.08mm

Baud Rate

1.2K/2.4K/4.8K/9.6K/19.2K/38.4K/57.6K/115.2K bps

Wire Connection

Analog Input





Power Requirements

Power input: +10~+30Vdc input

Power Consumption

1.9Watt for I-7014D

Environmental

Storage temperature: -25°C to 80°C
Operation temperature: -20°C to 75°C
Humidity: 5 to 95%, non-condensing

Dimensions: 120L x 72W x 33H cm

Certification: CE

