



I-7053_FG/I-7053D_FG

16-channel Non-isolated Digital Input Module with 16-bit Counters

Introduction

I-7053_FG features long distance measurement for digital input. Its effective distance for dry contact is up to 500 meters. I-7053_FG supports source type input. All of its 16 channels are also able to be used as 16-bit counters, each of which features non-isolated. I-7053D_FG has 16 LED indicators for channel status.

Digital Input

Features

- 16 Digital Inputs for Source Type
- Long Distance Measurement
- Can Be Used As Counters
- Dry Contact
- Long distance measurement
- Non-isolated
- Dual Watchdog
- RoHS Compliance
- Wide Range of Operating Temperature: -25 ~ +75 °C



Applications

Building Automation, Factory Automation, Machine Automation, Remote Maintenance, Remote diagnosis, Testing Equipment.

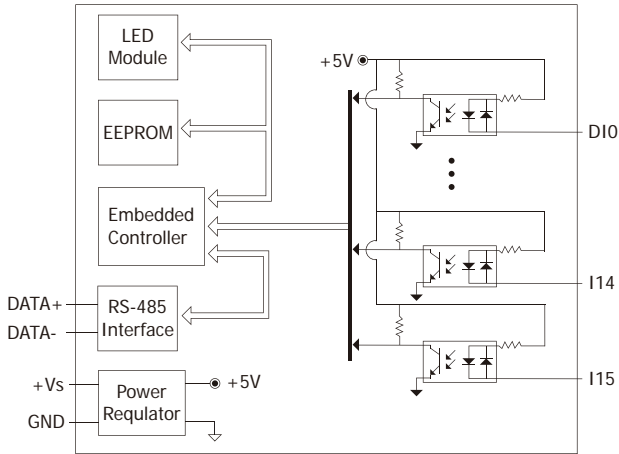
I/O Specifications

Digital Input		
Input Channels	16	
Input Type	Dry Contact, Source	
Off Voltage Level	Close to GND	
On Voltage Level	Open	
Effective Distance	500 M Max.	
Counters	Channels	16
	Max. Counters	16-bit (65535)
	Max. Input Frequency	100 Hz
	Min. Pulse Width	5 ms

System Specifications

Interface		
Interface	RS-485	
Format	N, 8, 1	
Baud Rate	1200 ~ 115200 bps	
LED Display	1 LED as Power/Communication indicator	
	16 LEDs as digital input indicators (for I-7051D)	
Power		
Input Voltage Range	+10 V _{DC} ~ +30 V _{DC}	
Power	I-7053_FG	0.2 W
Consumption	I-7053D_FG	1.2 W
Environment		
Operating temperature	-25 °C ~ +75 °C	
Storage temperature	-40 °C ~ +85 °C	
Humidity	10 ~ 95% RH, non-condensing	
Dimensions	72 mm x 121 mm x 35 mm (W x L x H)	

Internal I/O Structure

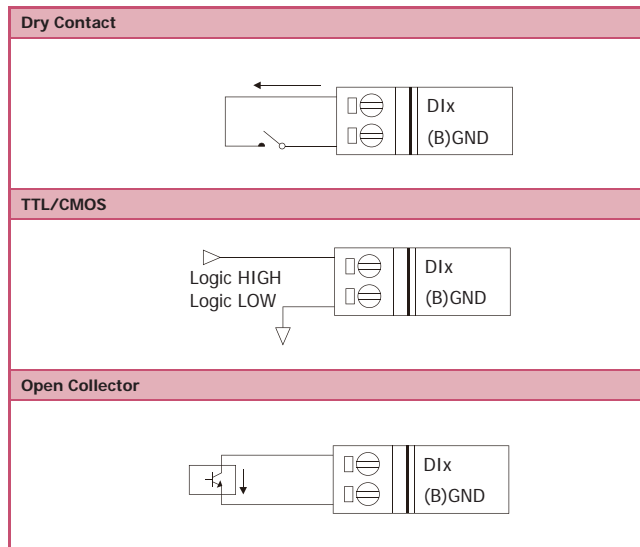


Pin Assignment

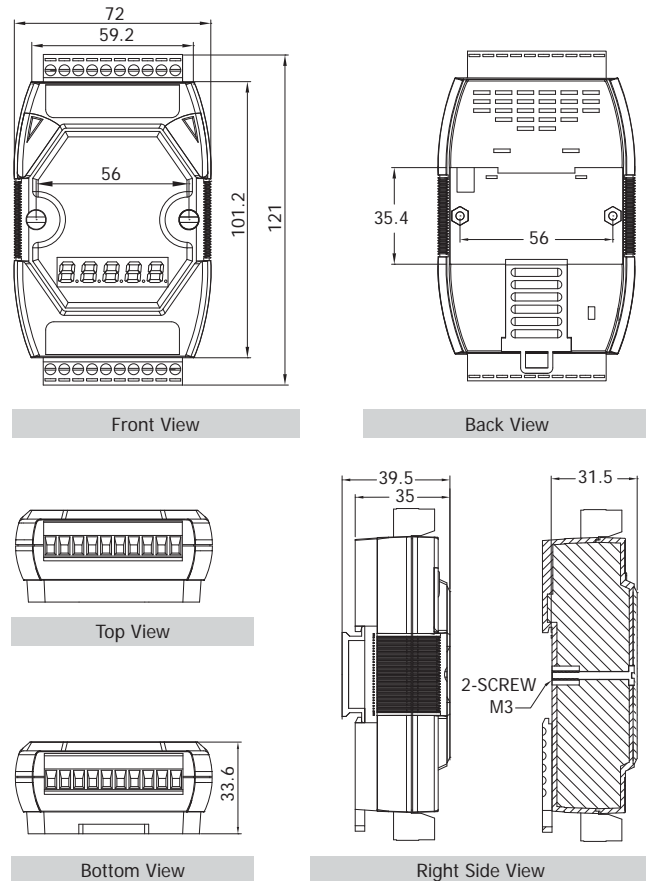
Terminal No.	Pin Assignment
01	DI10
02	DI11
03	DI12
04	DI13
05	DI14
06	DI15
07	(Y)DATA+
08	(G)DATA-
09	(R)+Vs
10	(B)GND

Terminal No.	Pin Assignment
20	DI9
19	DI8
18	DI7
17	DI6
16	DI5
15	DI4
14	DI3
13	DI2
12	DI1
11	DI0

Wire Connection



Dimensions (Unit: mm)



Ordering Information

I-7053_FG CR	16-channel Non-isolated Digital Input Module with 16-bit Counters (RoHS)
I-7053D_FG CR	I-7053_FG with LED Display (RoHS)

Related Products

Converters	USB, RS-232, Fiber Optical to RS-485 Converters and Repeaters	Learning Kit	Starter Learning Kit
Power Supply	24 V _{DC} Power Supply	Application Books	Application Books Designed with Our Products
Relay Module	External Relay Modules for I-7000 DO Module	Data Logger Software	User Friendly Data Logger Software (free)