



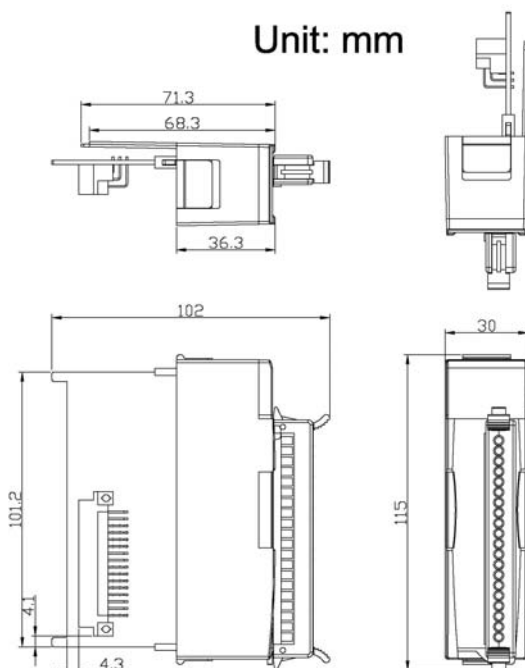
I-8014W

16-bit 250K sampling rate 8/16-channel analog input module

Specifications

Analog Input	
Input Channels	16-ch Single-ended/8-ch Differential
Input Range	+/- 10V, +/- 5V, +/- 2.5V, +/- 1.25V -20mA ~ +20mA(Requires Optional External 125 Ohm Resistor)
Resolution	16-bit
Sample Rate	Single Channel Polling Mode :250K S/s
FIFO	8K bytes
Accuracy	0.05% of FSR +/- 1LSB
Scan Mode	Polling , Pacer
Scan Function	Magic Scan Type 1, Magic Scan Type 2
Overvoltage protection	+60 V~ -45 V
Input Impedance	20K,200K,20M(Jumper Select)
Intra-module Isolation, Field to Logic	2500 Vrms
LED Display	
1 LED as Power Indicator	
Power	
Power Consumption	2.5W Max
Environment	
Operating Temperature	-25 ~ 75°C
Storage Temperature	-30 ~ 85°C
Humidity	5 to 95% RH, Non-condensing
Dimensions	
30mm x 102mm x 115mm (W x L x H)	

Unit: mm



High Profile