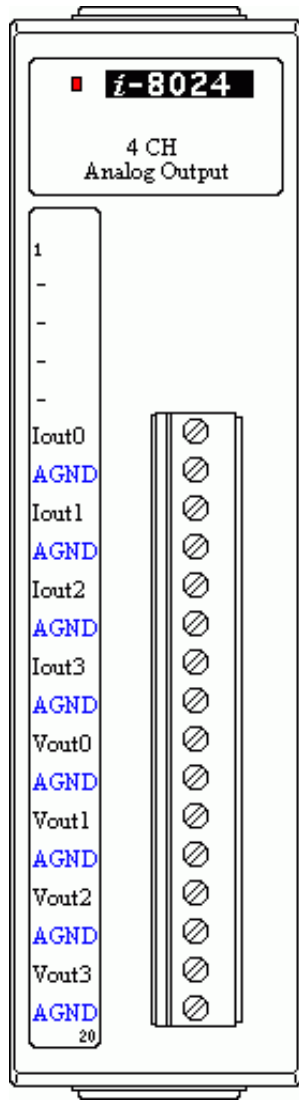


I-8024 Specification

Analog Output	Output Channel	4 channels
	Output Type	0 ~ 20mA 4 ~ 20mA -10 ~ +10V
	Accuracy	◆0.1% of FSR
	Resolution	◆0.02% of FSR
	Zero Drift	Voltage : ◆30◆V/◆C Current : ◆0.2◆A/◆C
	Span Temperature Coefficient	◆20ppm/◆C
	Programmable Output Slop	Not Available for Parallel Type
	Voltage Output Driver	5mA max
	Current Load Capability with 24V external power	1050 Ohms max
	Isolation Voltage	3000Vrms
LED Display	1 LED as Power/Communication indicator	
Power Requirement	DC +5V, 250mA maximum	
Note	8024 : Internal Parallel Bus	

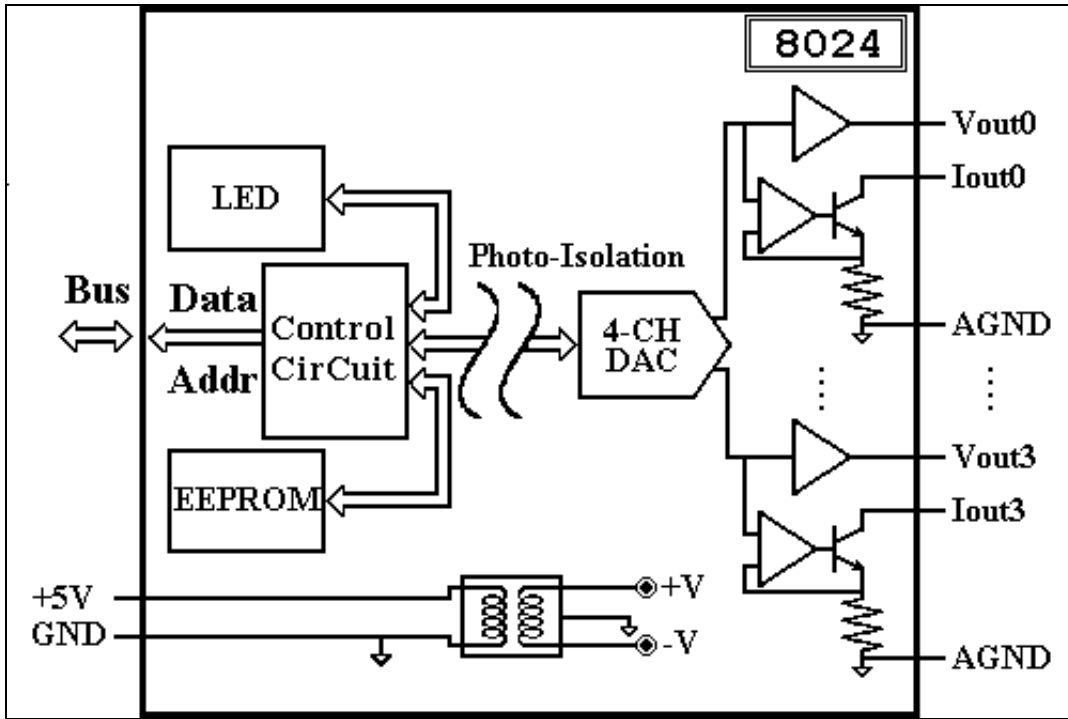
I-8024 Pin Assignment

Terminal Number	Pin Name
5	Iout0
6	AGND



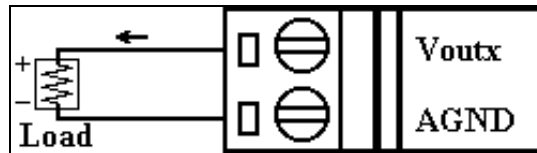
7	Iout1
8	AGND
9	Iout2
10	AGND
11	Iout3
12	AGND
13	Vout0
14	AGND
15	Vout1
16	AGND
17	Vout2
18	AGND
19	Vout3
20	AGND

I-8024 Internal I/O Structure

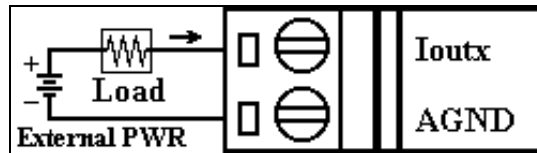


I-8024 Wire Connection

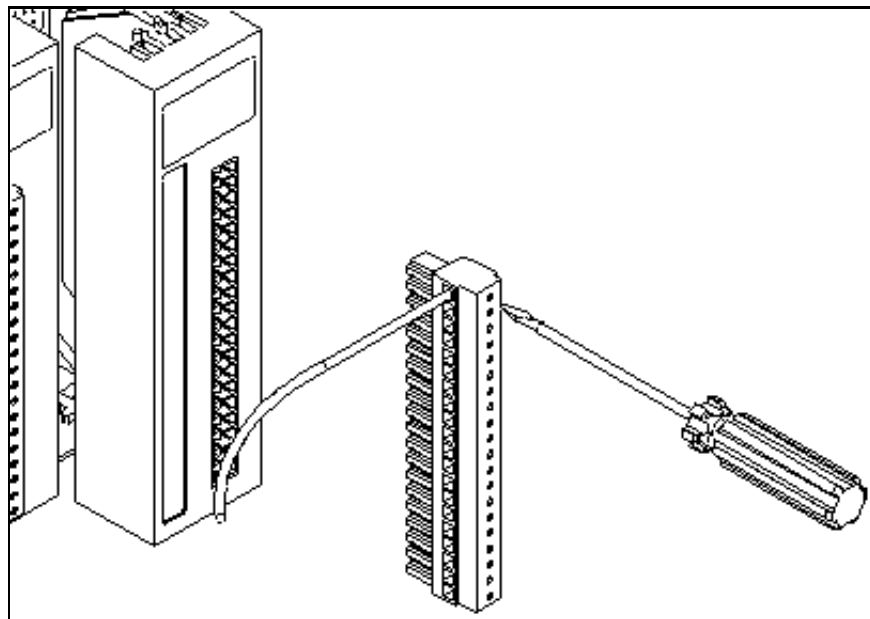
Voltage Output Wiring



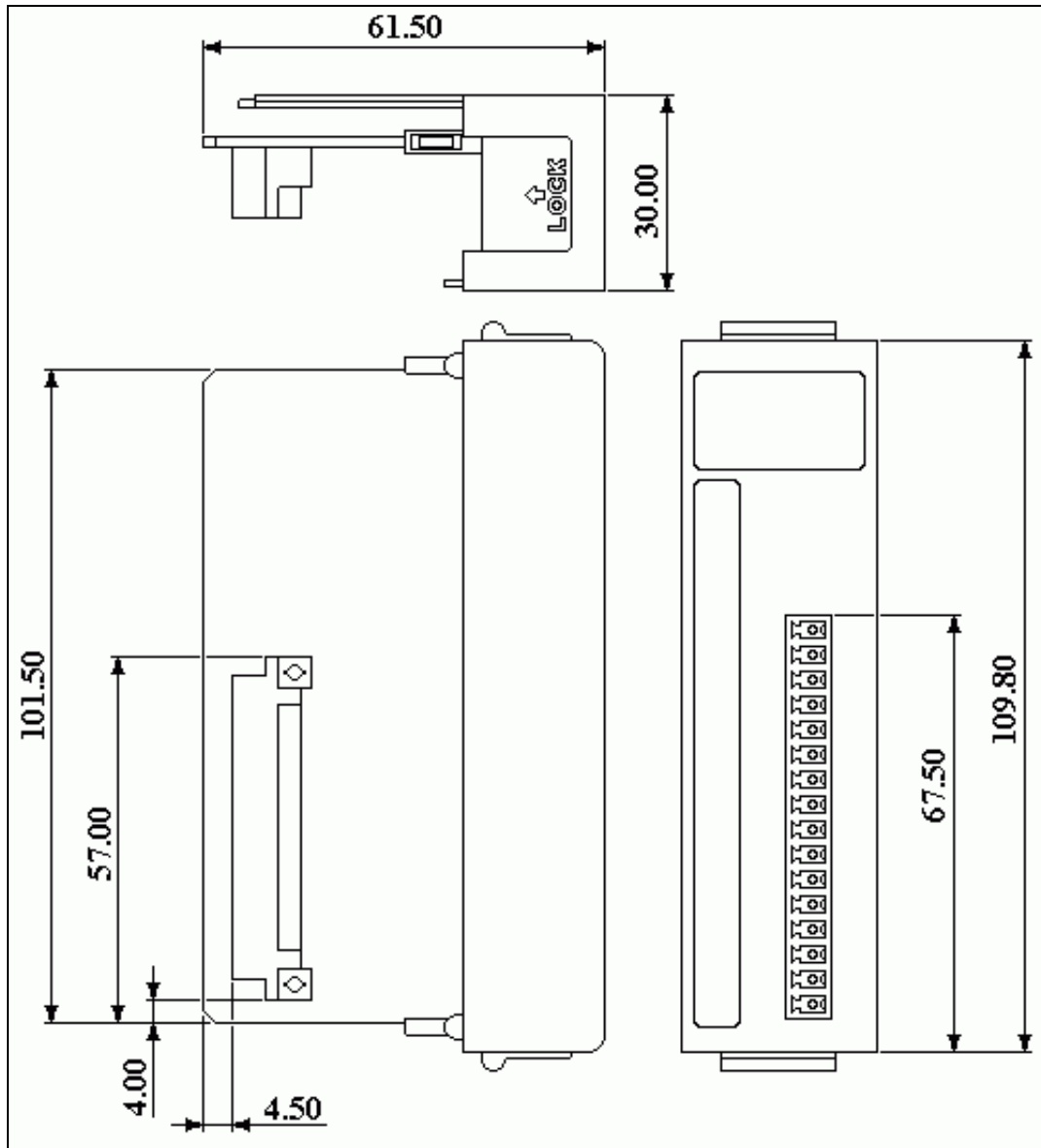
Current Output Wiring



Screw wire into I-8024



I-8024 Dimention



[Back to Previous Page](#)

Last Modified 12/21/2011 09:11:30