



Model:I-8051

Model:I-8051(G)

I-8051/I-8051(G)

16-channel Digital Input Module

Specifications & Features

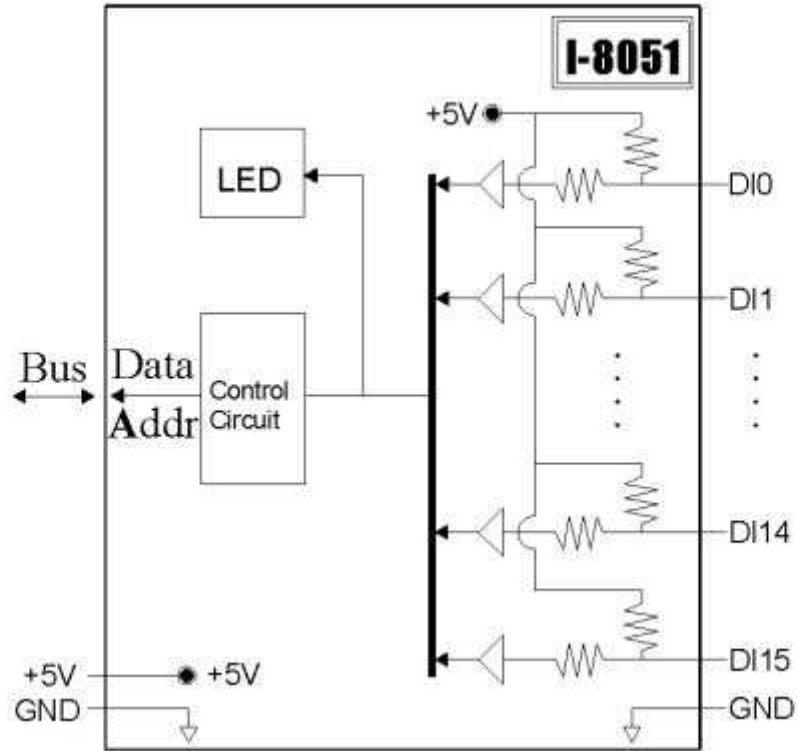
- **Parallel I/O Module**
- Digital Input Channels: 16
- Digital Input level:
 - Logic level 0: +1V max.
 - Logic level 1: +3.5V ~ 30V
- Dry contact:
 - Logical level 0: close to GND
 - Logical level 1: open
- LED indicator for each channel of digital input
- Power consumption: 0.8W

Ordering information

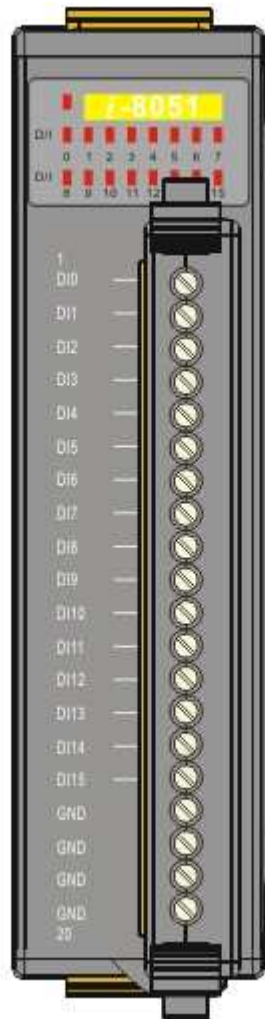
I-8051	16-channel Digital Input Module
I-8051 CR	16-channel Digital Input Module (RoHS)

I-8051 Hardware

Internal I/O Structure

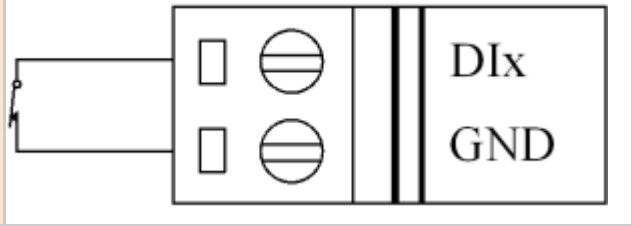
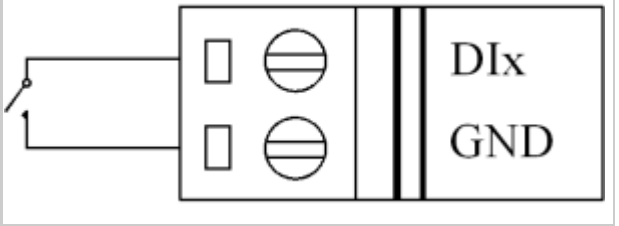
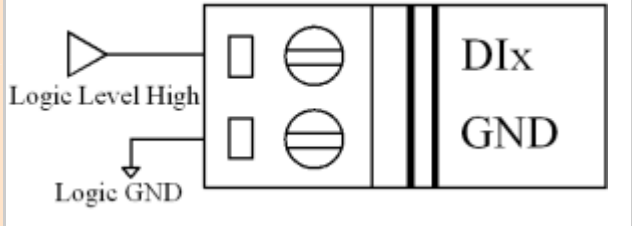
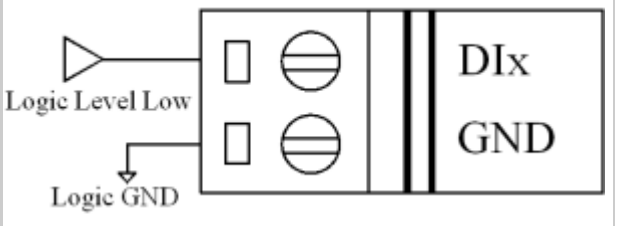


PIN Assignment



Terminal No.	Pin Assignment Name
01	DI0
02	DI1
03	DI2
04	DI3
05	DI4
06	DI5
07	DI6
08	DI7
09	DI8
10	DI9
11	DI10
12	DI11
13	DI12
14	DI13
15	DI14
16	DI15
17	GND
18	GND
19	GND
20	GND

Wire Connection

Input Type	ON State LED ON Readback as 1	OFF State LED OFF Readback as 0
Relay Contact	Relay ON	Relay Off
		
TTL/CMOS Logic	Voltage < 1V	Voltage > 3.5V
		
Open Collector	Open Collector On	Open Collector Off
	