



Model:I-8053



Model:I-8053(G)

I-8053/I-8053(G)

16-channel Isolated Digital Input Module

Specifications & Features

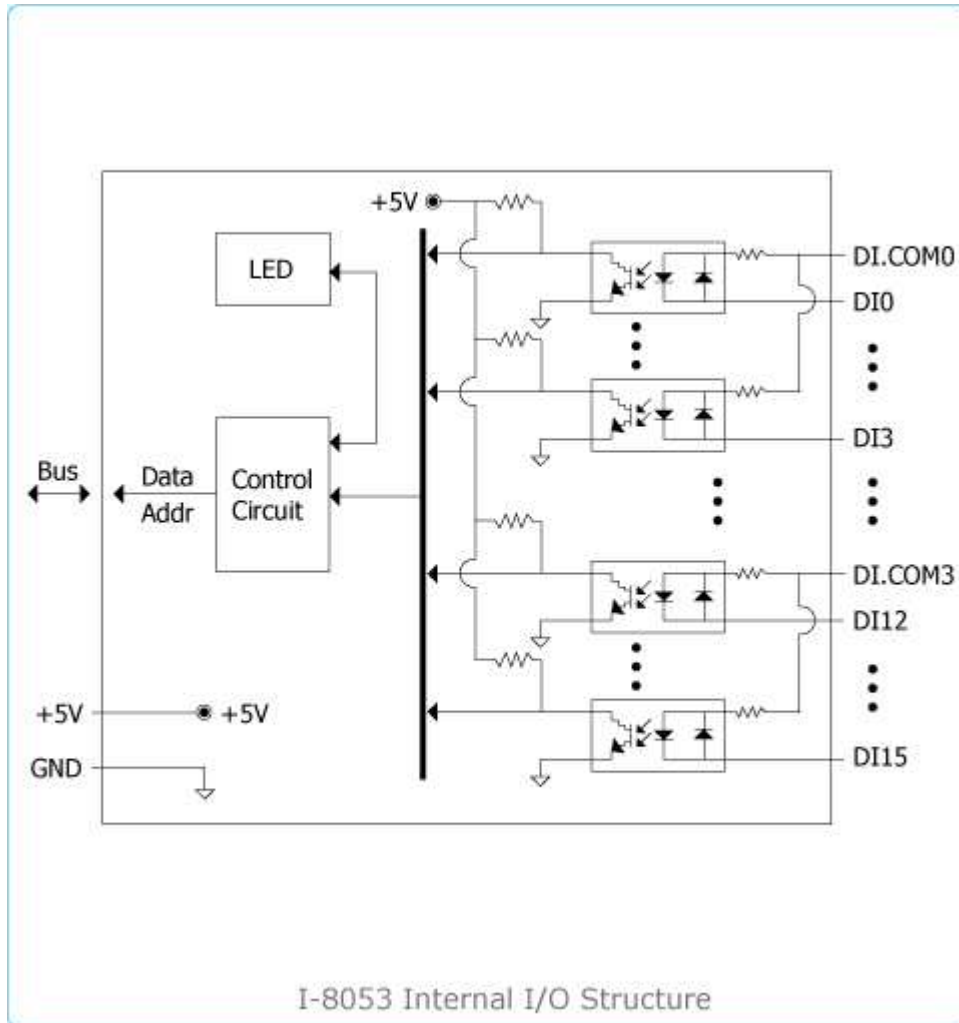
- Parallel I/O Module
- Digital Input Channels: 16
- Single-ended Input
- Digital Input level:
 - Logic level 0: +1V max.
 - Logic level 1: +3.5V ~ 30V
- Isolation Voltage: 3750Vrms
- Input resistance: 3KW, 0.5W
- LED indicator for each channel of digital input
- Power consumption: 0.8W

Ordering information

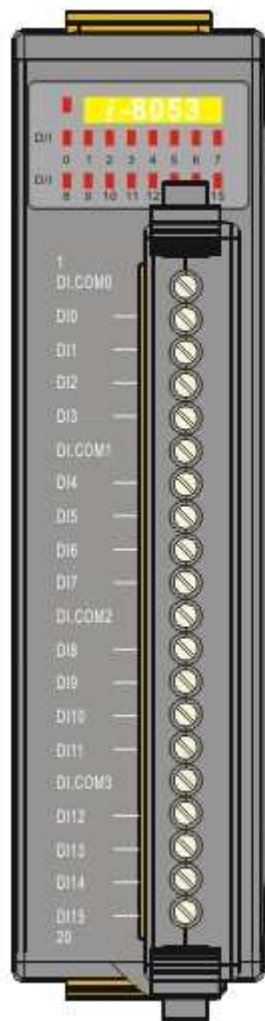
I-8053	16-channel Isolated Digital Input Module
I-8053 CR	16-channel Isolated Digital Input Module (RoHS)

I-8053 Hardware

Internal I/O Structure

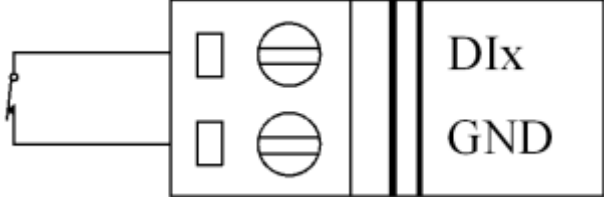
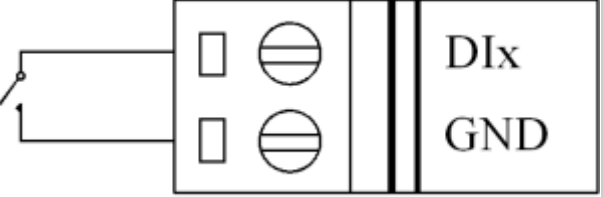
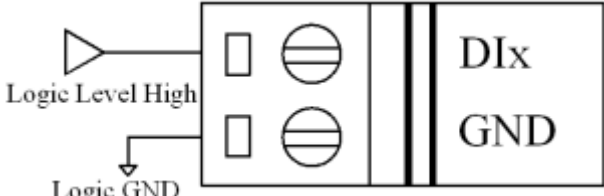
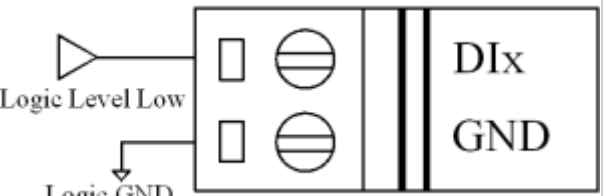


PIN Assignment



Terminal No.	Pin Assignment Name
01	DI.COM0
02	DI0
03	DI1
04	DI2
05	DI3
06	DI.COM1
07	DI4
08	DI5
09	DI6
10	DI7
11	DI.COM2
12	DI8
13	DI9
14	DI10
15	DI11
16	DI.COM3
17	DI12
18	DI13
19	DI14
20	DI15

Wire Connection

Input Type	ON State LED ON Readback as 1	OFF State LED OFF Readback as 0
Relay Contact	Relay ON	Relay Off
		
TTL/CMOS Logic	Voltage < 1V	Voltage > 3.5V
		
Open Collector	Open Collector On	Open Collector Off
	