



Model:I-8055

Model:I-8055(G)

I-8055/I-8055(G)

16-channel Digital I/O Module

Specifications & Features

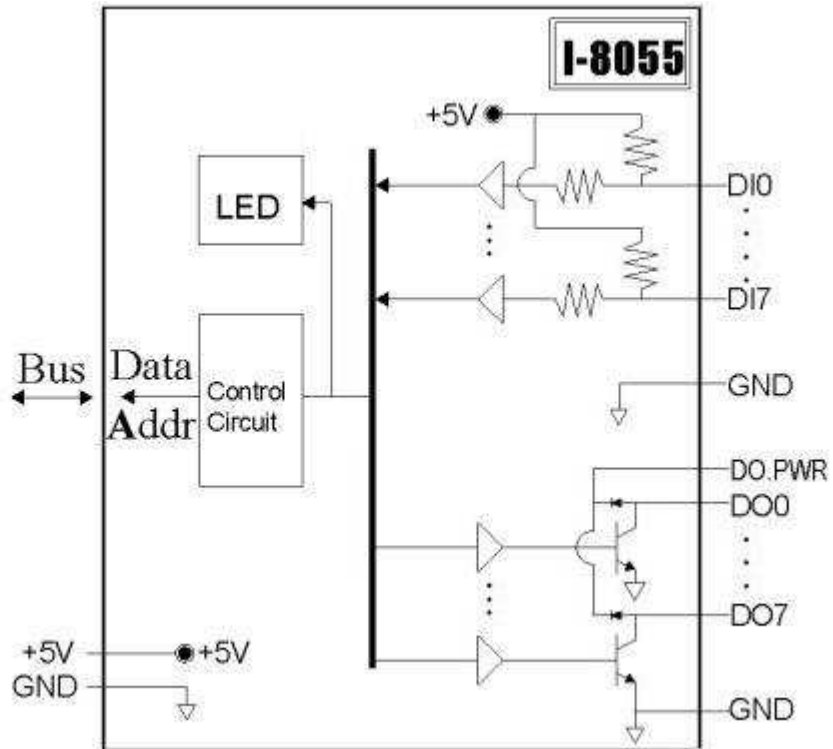
- Parallel I/O Module
- Digital Input Channels: 8
- Digital Input level:
Logic level 0: +1V max.
Logic level 1: +3.5V ~ 30V
- Digital Output Channels:8
- O.C. output : 100mA/channel
- Power Consumption: 0.5W

Ordering information

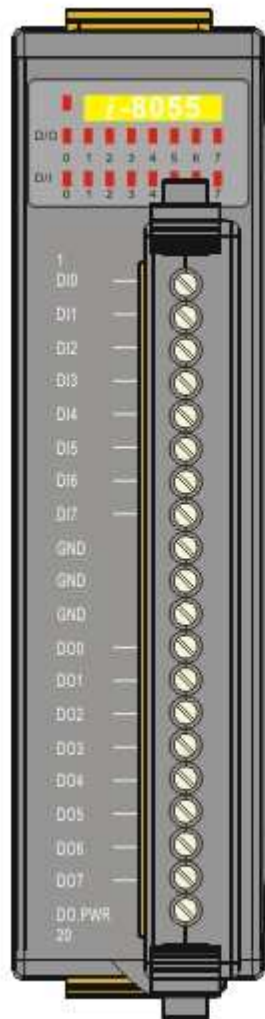
I-8055	16-channel Digital I/O Module
I-8055 CR	16-channel Digital I/O Module (RoHS)

I-8055 Hardware

Internal I/O Structure



PIN Assignment



Terminal No.	Pin Assignment Name
01	DI0
02	DI1
03	DI2
04	DI3
05	DI4
06	DI5
07	DI6
08	DI7
09	GND
10	GND
11	GND
12	DO0
13	DO1
14	DO2
15	DO3
16	DO4
17	DO5
18	DO6
19	DO7
20	DO.PWR