



Model:I-8057

Model:I-8057(G)

I-8057/I-8057(G)

16-channel Isolated Open Collector Output Module

Specifications & Features

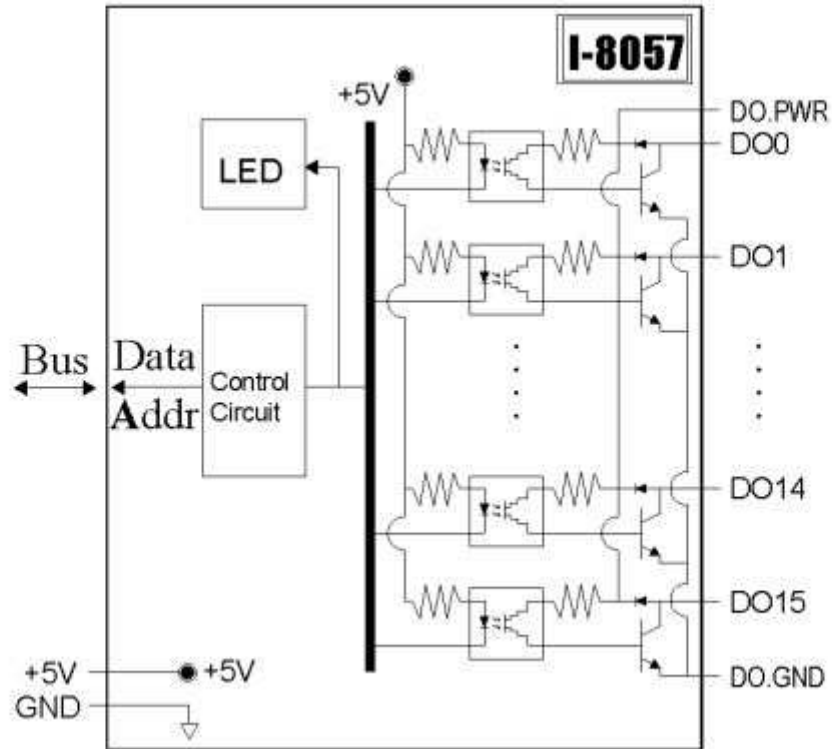
- **Parallel I/O Module**
- Digital Output Channels:16
- Output Type: Sink output
- O. C. Digital output: 100mA, 30V
- Isolation Voltage: 3750V rms
- LED indicator for each channel of D/O
- Power Consumption: 0.5W

Ordering information

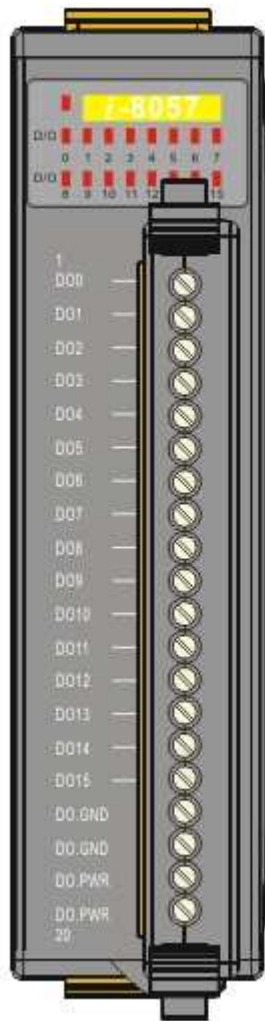
I-8057	16-channel Isolated Open Collector Output Module
I-8057 CR	16-channel Isolated Open Collector Output Module (RoHS)

I-8057 Hardware

Internal I/O Structure



PIN Assignment



Terminal No.	Pin Assignment Name
01	D00
02	D01
03	D02
04	D03
05	D04
06	D05
07	D06
08	D07
09	D08
10	D09
11	D010
12	D011
13	D012
14	D013
15	D014
16	D015
17	DO.GND
18	DO.GND
19	DO.PWR
20	DO.PWR