

I-8058/I-8058(G)

8-channel Isolated Digital Input Module



Model:I-8058

Model:I-8058(G)

Specifications & Features

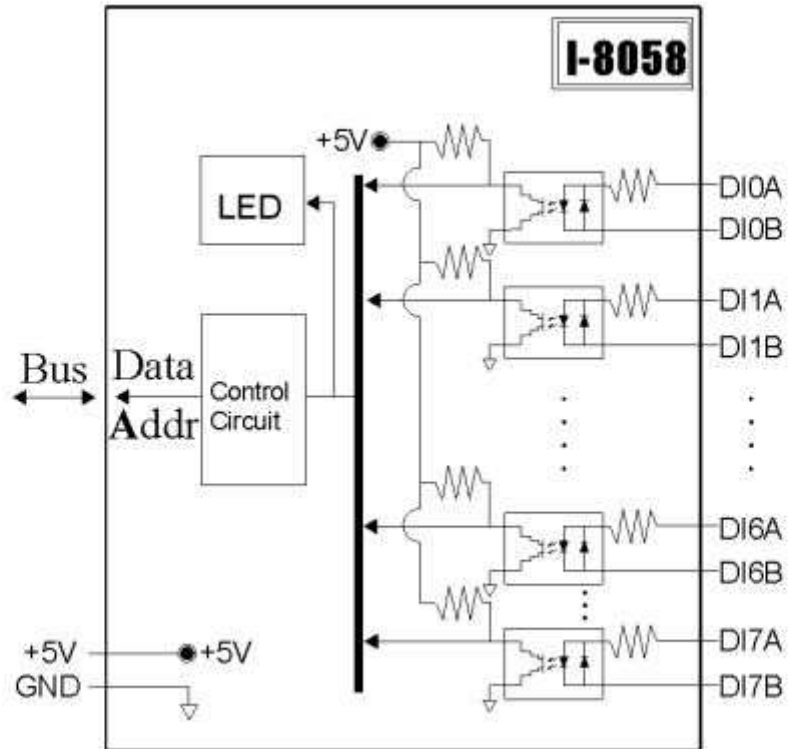
- Digital Input Channels: 8
- Input type: differential
- Input Voltage
 - Logical High: AC/DC 80V mini
 - Logical Low: AC/DC 30V max.
- Maximum Input voltage: AC/DC 250 V
- Operating frequency: 1KHz (Max.)
- Isolation Voltage: 3750 Vrms
- LED indicator for each channel of D/I
- Power Consumption: 0.8W

Ordering information

I-8058	8-channel Isolated Digital Input Module
--------	---

I-8058 Hardware

Internal I/O Structure



PIN Assignment



Terminal No.	Pin Assignment Name
01	D10A
02	D10B
03	D11A
04	D11B
05	D12A
06	D12B
07	D13A
08	D13B
09	D14A
10	D14B
11	D15A
12	D15B
13	D16A
14	D16B
15	D17A
16	D17B

Wire Connection

Input Type	ON State LED ON Readback as 1	OFF State LED OFF Readback as 0
Relay Contact	Relay ON	Relay Off
TTL/CMOS Logic	Voltage < 30V	Voltage > 80V
NPN	Open Collector On	Open Collector Off