



Model:I-8060

Model:I-8060(G)

## I-8060/I-8060(G)

6-channel Relay Output Module

### Specifications & Features

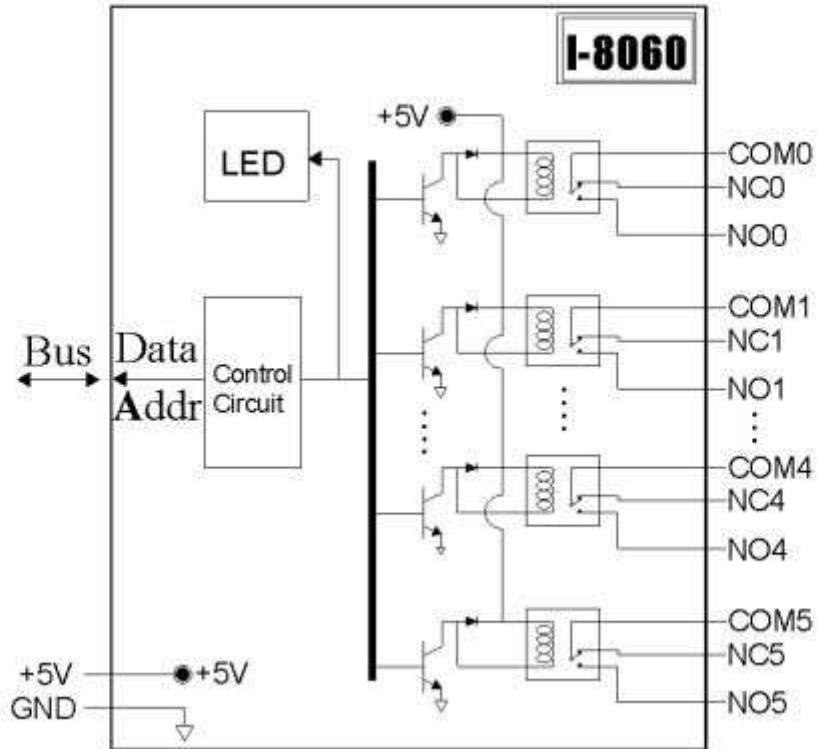
- Parallel I/O Module
- Digital Output Channels:6
- Form C x 6 channels
- Contact Rating  
AC: 125V @0.6A; 250V @0.3A  
DC: 30V @2A;
- Breakdown voltage: 500Vac
- Relay on time: 3 ms
- Relay off time: 1 ms
- Total switch time: 10ms
- Insulation resistance: 1000MΩ[ min. at 500Vdc
- LED indicator for each digital output
- Power consumption: 2.2W

### Ordering information

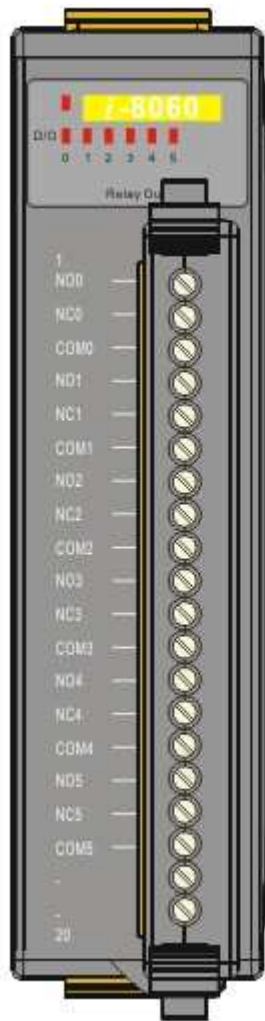
I-8060	6-channel Relay Output Module
I-8060 CR	6-channel Relay Output Module (RoHS)

# I-8060 Hardware

## Internal I/O Structure



## PIN Assignment



Terminal No.	Pin Assignment Name
01	NO0
02	NC0
03	COM0
04	NO1
05	NC1
06	COM1
07	NO2
08	NC2
09	COM2
10	NO3
11	NC3
12	COM3
13	NO4
14	NC4
15	COM4
16	NO5
17	NC5
18	COM5
19	-
20	-