

I-8063/I-8063(G)

4-channel Isolated digital input & 4-channel Relay output module.



Model:I-8063

Model:I-8063(G)

Specifications & Features

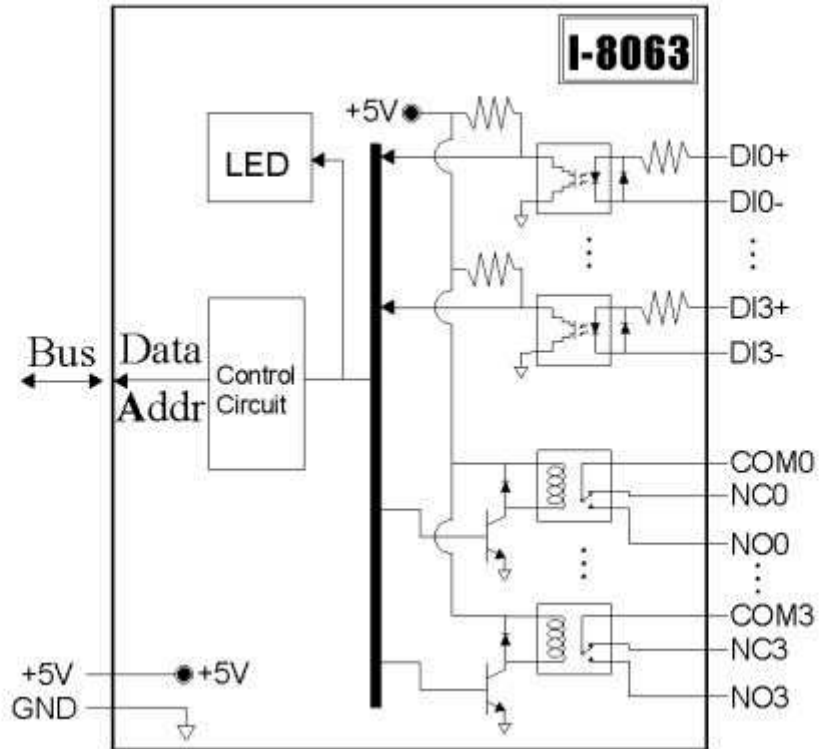
- Parallel I/O Module
- Digital input channels : 4
- Differential input
- Digital output channels : 4
- Form C relay
- AC : 125V@0.6A;250V@0.3A
- Power Consumption: 2.0W

Ordering information

I-8063	4-channel Isolated digital input & 4-channel Relay output module.
--------	---

I-8063 Hardware

Internal I/O Structure



PIN Assignment



Terminal No.	Pin Assignment Name
01	DI0+
02	DI0-
03	DI1+
04	DI1-
05	DI2+
06	DI2-
07	DI3+
08	DI3-
09	NO0
10	NC0
11	COM0
12	NO1
13	NC1
14	COM1
15	NO2
16	NC2
17	COM2
18	NO3
19	NC3
20	COM3