



Model:I-8068



Model:I-8068(G)

I-8068/I-8068(G)

8-channel Relay Output Module

Specifications & Features

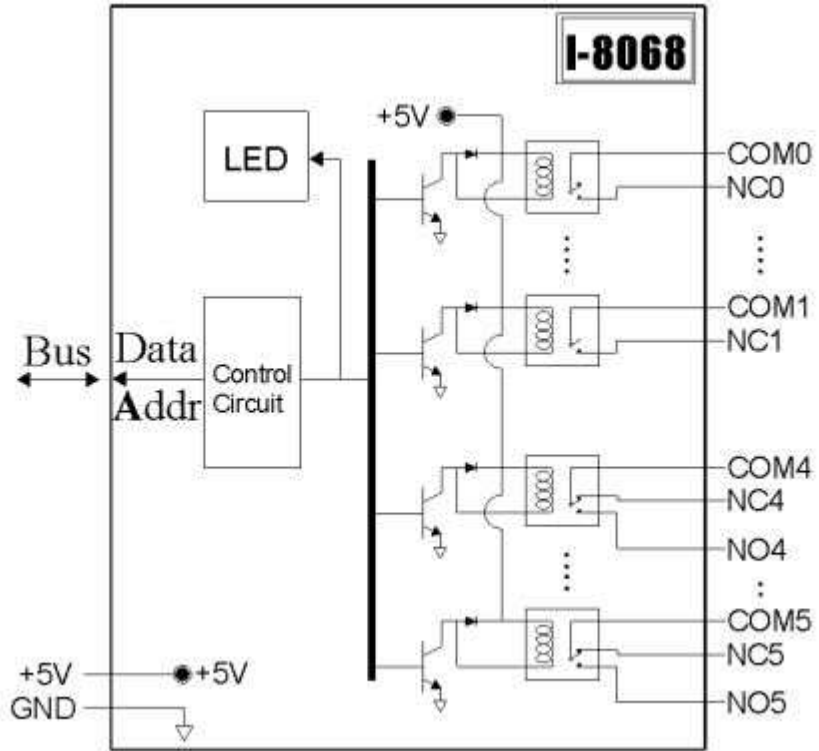
- Parallel I/O Module
- Digital Output Channels: 8
- Form C x 4
- Form A x 4
- Contact Rating
AC: 120V @0.5A
DC:30V @ 1A
- Insulation resistance: 1000MW min at 500Vdc
- LED indicator for each digital output

Ordering information

I-8068	8-channel Relay Output Module
I-8068 CR	8-channel Relay Output Module (RoHS)

I-8068 Hardware

Internal I/O Structure



PIN Assignment



Terminal No.	Pin Assignment Name
01	NO0
02	COM0
03	NO1
04	COM1
05	NO2
06	COM2
07	NO3
08	COM3
09	NO4
10	NC4
11	COM4
12	NO5
13	NC5
14	COM5
15	NO6
16	NC6
17	COM6
18	NO7
19	NC7
20	COM7