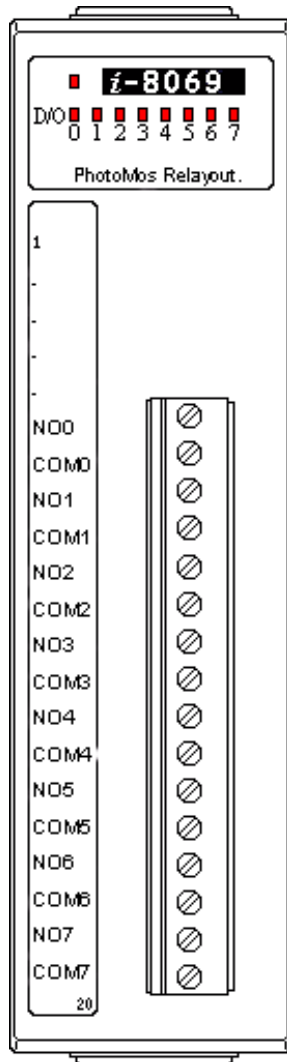


I-8069 Specification

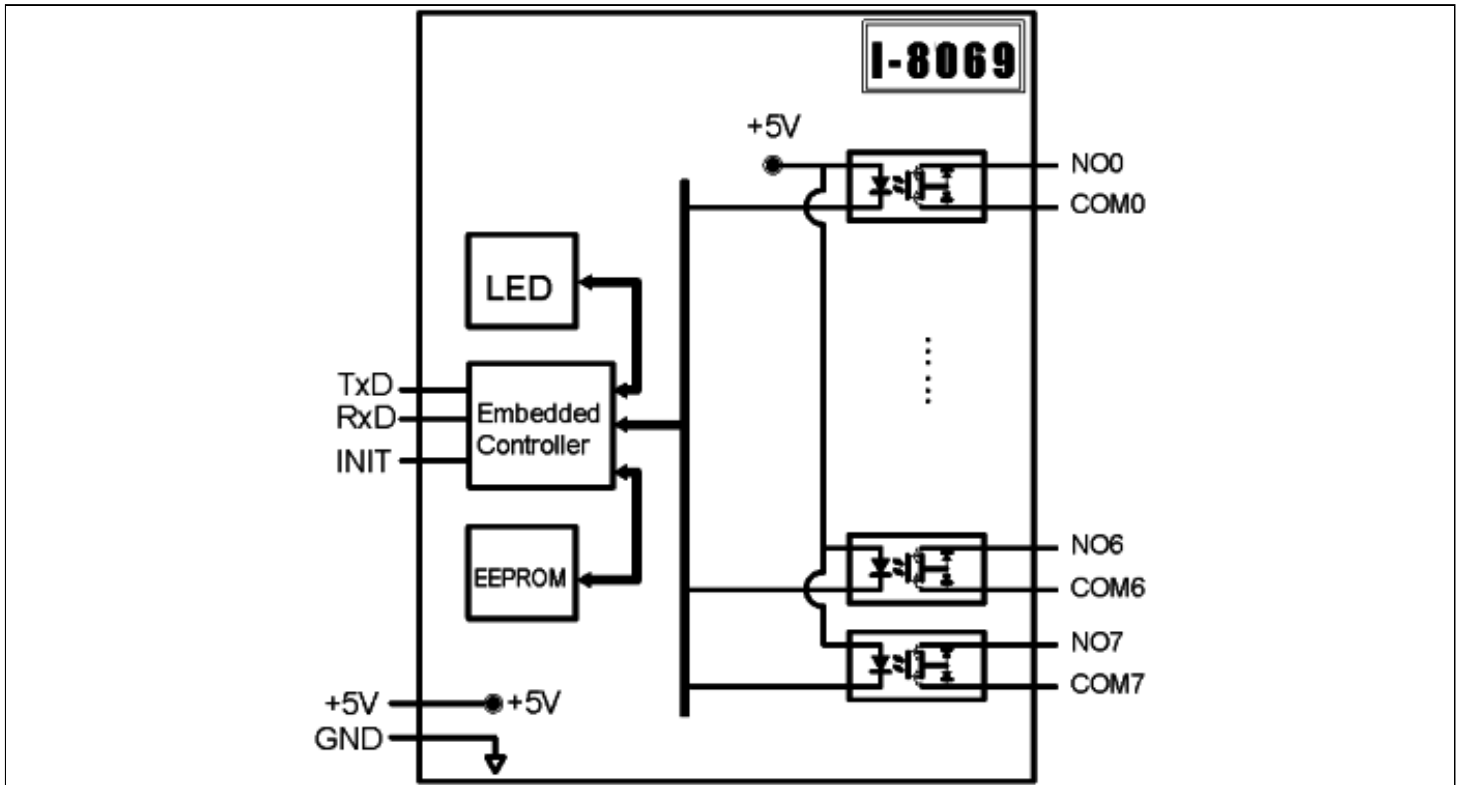
PhotoMos Relay Output	Outputs per module	8
	Load Current	0.13A max
	Load Voltage	350V max AC/DC
	Isolation Voltage	5000 VAC
	TurnOn Time	0.7 ms type
	TurnOff Time	0.05 ms type
LED Display	1 LED as Power/Communication indicator 8 LEDs as photo-mos relay output indicators	
Power Consumption	Maximum : 0.5W	

I-8069 Pin Assignment



Terminal Number	Pin Name
5	NO0
6	COM0
7	NO1
8	COM1
9	NO2
10	COM2
11	NO3
12	COM3
13	NO4
14	COM4
15	NO5
16	COM5
17	NO6
18	COM6
19	NO07
20	COM7

I-8069 Block Diagram

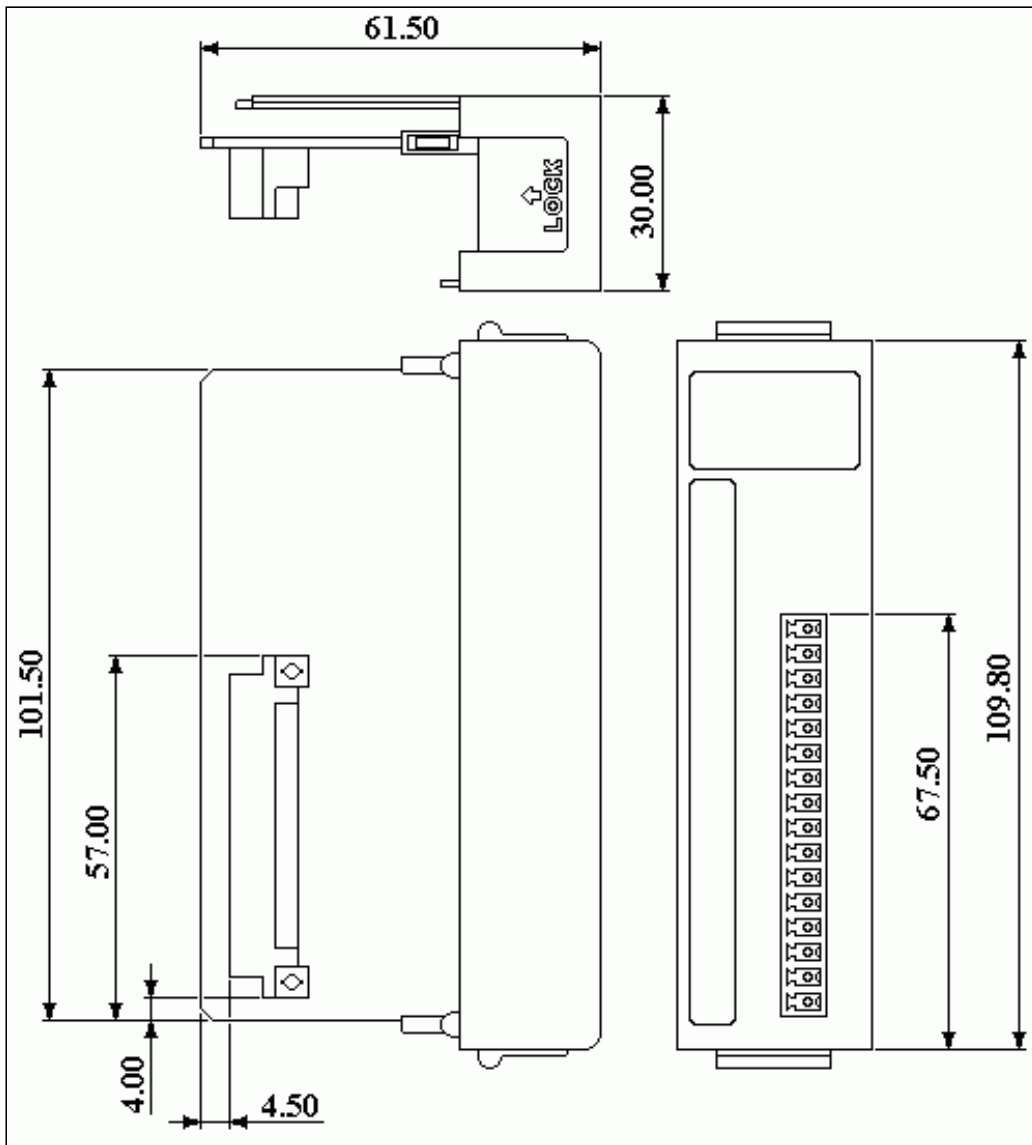


I-8069 Wire Connection

Output Type	ON State LED ON Readback as 1	OFF State LED OFF Readback as 0
Form A Relay Contact		

Note : The max load current = 0.13A

I-8069 Dimention



[Back to Previous Page](#)

Last Modified 01/15/2015 18:30:32