



# I-87015/I-87015-G

7-channel RTD Input Module

**Model:I-87015-G**

## Specifications

### Analog Input

Input Channels	7 Differential
Input Type	Pt100, Pt1000, Ni120, Cu100, Cu1000
Resolution	16-bit
Sampling Rate	7 Samples/ sec (Total)
Accuracy	+/- 0.05% of FSR
Zero Drift	+/- 0.5µgV/ °XC
Span Drift	+/- 25 µgV/ °XC
Common Mode Rejection	113 dB
Normal Mode Rejection	100 dB
Input Impedance	>1M Ohms
Individual Channel Configurable	Yes
Wire Opening Detection	Yes
4KV ESD Protection	Yes, Contact for each terminal.
Intra-module Isolation, Field to Logic	3000VDC

### LED Display

1 LED as Power/ Communication Indicator
14 LEDs as High/ Low Alarm Signals

### Power

Power Consumption	Maximum : 1.0W
-------------------	----------------

### Environment

Operating Temperature	-25 to 75 °XC
Storage Temperature	-30 to 75 °XC
Humidity	5 to 95%, Non-condensing

### Dimensions

31 x 81 x 114 (W x D x H) <a href="#">Detail</a>
--

**RTD Type Setting(TT)**

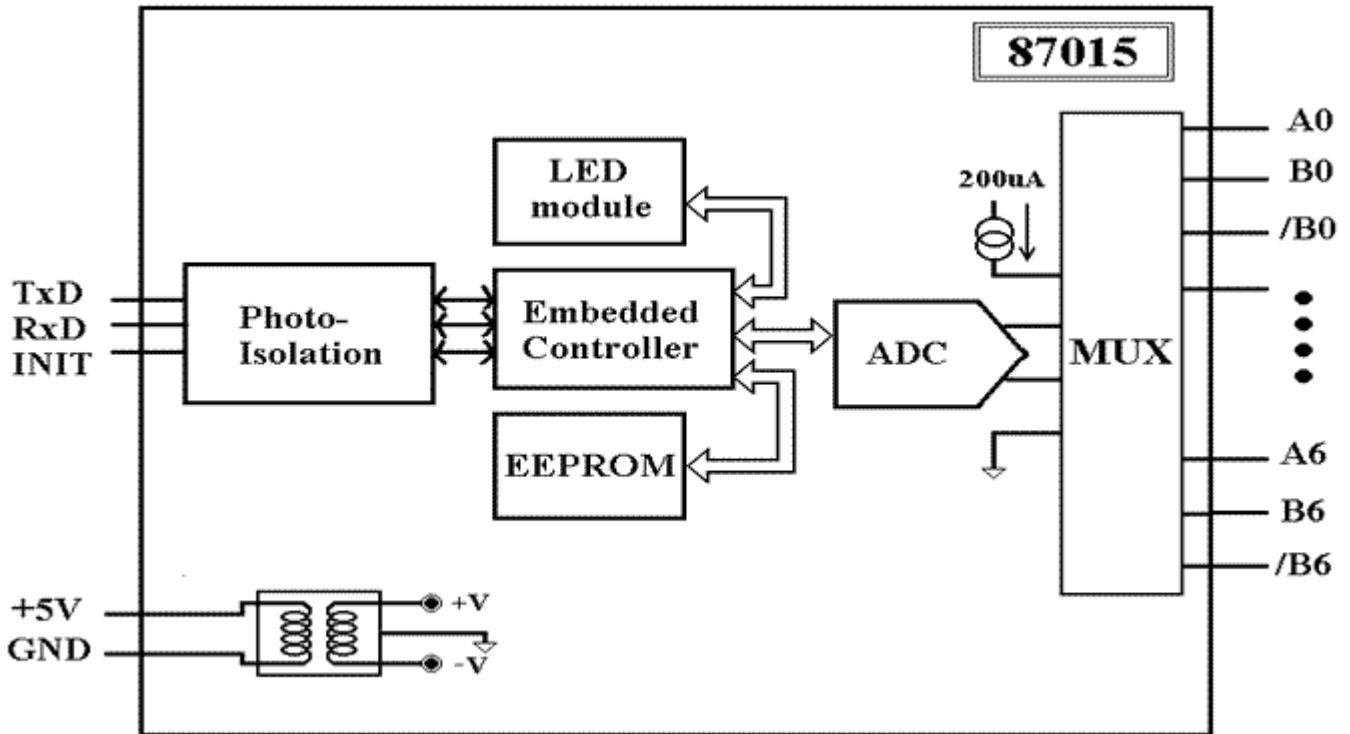
Type Code	RTD Type	Temperature Range ℃
20	Platinum 100, $\alpha = 0.00385$	-100 ~ 100
21	Platinum 100, $\alpha = 0.00385$	0 ~ 100
22	Platinum 100, $\alpha = 0.00385$	0 ~ 200
23	Platinum 100, $\alpha = 0.00385$	0 ~ 600
24	Platinum 100, $\alpha = 0.003916$	-100 ~ 100
25	Platinum 100, $\alpha = 0.003916$	0 ~ 100
26	Platinum 100, $\alpha = 0.003916$	0 ~ 200
27	Platinum 100, $\alpha = 0.003916$	0 ~ 600
28	Nickel 120	-80 ~ 100
29	Nickel 120	0 ~ 100
2A	Platinum 1000, $\alpha = 0.00385$	-200 ~ 600
2B	Cu 100 at 0℃, $\alpha = 0.00421$	-20 ~ 150
2C	Cu 100 at 25℃, $\alpha = 0.00427$	0 ~ 200
2D	Cu 1000 at 0℃, $\alpha = 0.00421$	-20 ~ 150
2E	Platinum 100, $\alpha = 0.00385$	-200 ~ 200
2F	Platinum 100, $\alpha = 0.003916$	-200 ~ 200
80	Platinum 100, $\alpha = 0.00385$	-200 ~ 600
81	Platinum 100, $\alpha = 0.003916$	-200 ~ 600

**Ordering information**

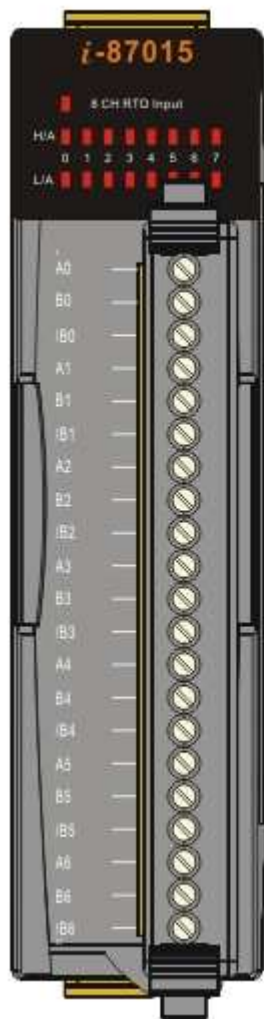
I-87015	7-channel RTD Input Module (Blue Cover)
I-87015-G	7-channel RTD Input Module (Gray Cover)
I-87015 CR	7-channel RTD Input Module (Blue Cover) (RoHS)
I-87015-G CR	7-channel RTD Input Module (Gray Cover) (RoHS)

# I-87015/ I-87015(G) Hardware

## Internal I/O Structure



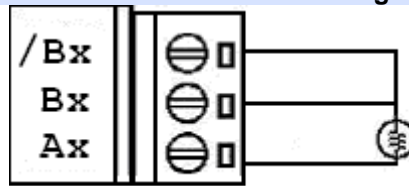
## PIN Assignment



Terminal No.	Pin Assignment Name
01	A0
02	B0
03	/B0
04	A1
05	B1
06	/B1
07	A2
08	B2
09	/B2
10	A3
11	B3
12	/B3
13	A4
14	B4
15	/B4
16	A5
17	B5
18	/B5
19	A6
20	B6
21	/B6

## Wire Connection

I-87015-3-Wire-RTD-Wiring



I-87015-2-Wire-RTD-Wiring

