

I-87017/I-87017-G

8-channel Analog Input Module



Model:I-87017



Model:I-87017-G

Specifications

Analog Input

Input Channels	8 Differential
Input Type	+/- 10V, +/- 5V, +/- 1V +/- 500mV, +/- 150mV -20mA ~ +20mA(Requires Optional External 125 Ohm Resistor)
Resolution	16-bit / 12-bit
Sampling Rate	Normal Mode : 16-bit,10 Samples/ sec (Total) Fast Mode : 12-bit,60 Sample/ sec (Total)
Accuracy	Normal Mode : +/- 0.1% of FSR Fast Mode : +/- 0.5% of FSR
-3dB BandWidth	15.7Hz
Zero Drift	+/- 20 μ V/ $^{\circ}$ C
Span Drift	+/- 25 ppm/ $^{\circ}$ C
Common Mode Rejection	86 dB
Normal Mode Rejection	100 dB
Input Impedance	20M Ohms
Overvoltage Protection	-35V to +35V
Intra-module Isolation, Field to Logic	3000VDC

LED Display

1 LED as Power/ Communication Indicator
16 LEDs as High/ Low Alarm Signals

Power

Power Consumption Maximum : 1.1W

Environment

Operating Temperature -25 to 75 $^{\circ}$ C
Storage Temperature -30 to 75 $^{\circ}$ C
Humidity 5 to 95%, Non-condensing

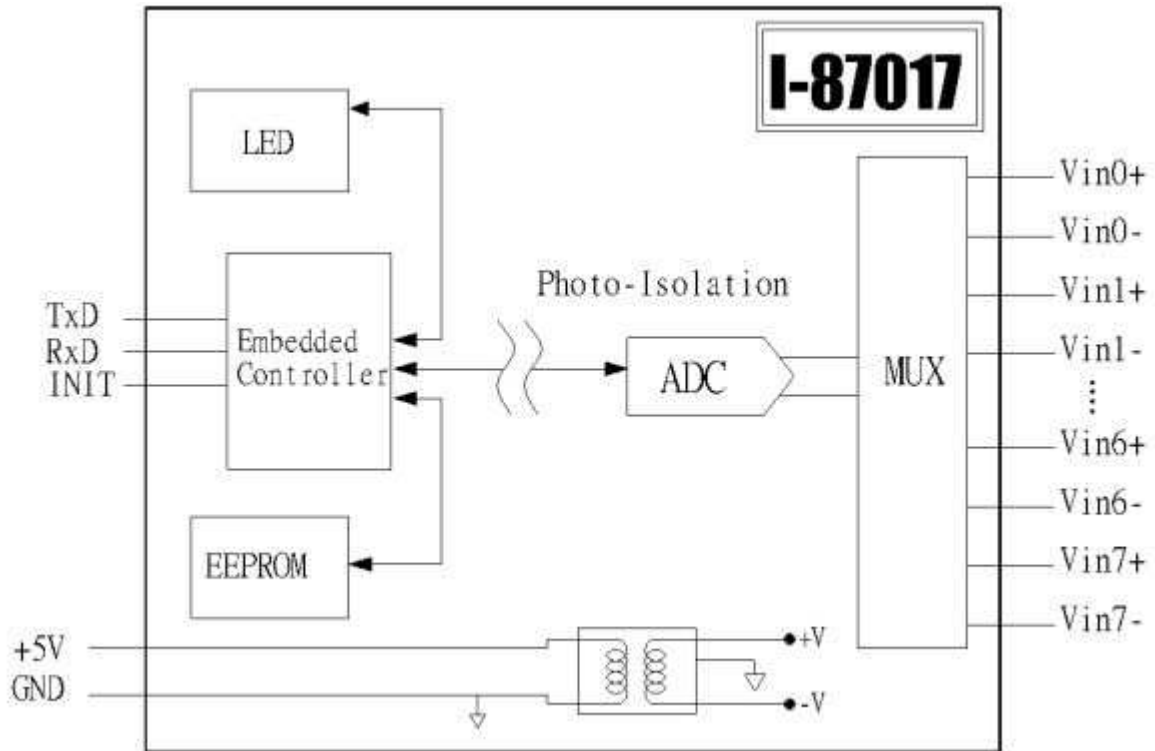
Dimensions

Ordering information

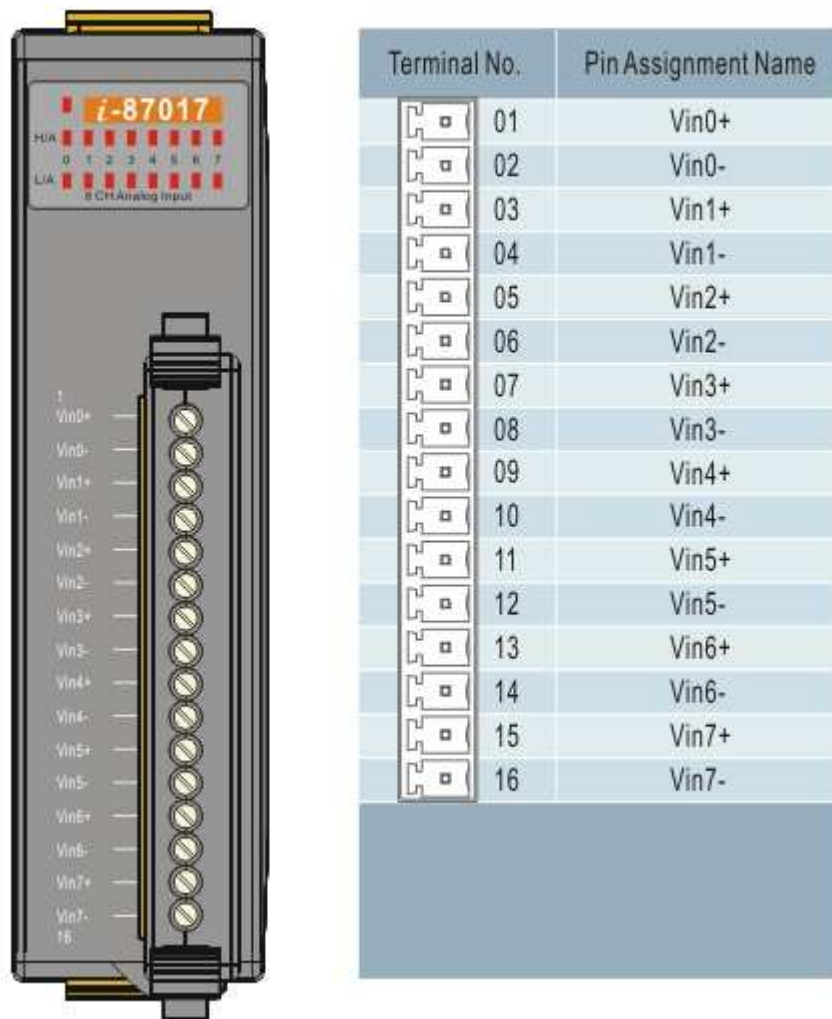
I-87017	8-channel Analog Input Module (Blue Cover)
I-87017-G	8-channel Analog Input Module (Gray Cover)
I-87017 CR	8-channel Analog Input Module (Blue Cover) (RoHS)
I-87017-G CR	8-channel Analog Input Module (Gray Cover) (RoHS)

I-87017/ I-87017(G) Hardware

Internal I/O Structure

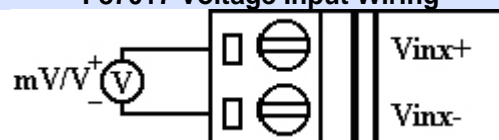


PIN Assignment

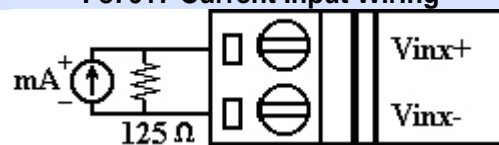


Wire Connection

I-87017 Voltage Input Wiring



I-87017 Current Input Wiring



Note: When connecting to a current source, an optional external 125-Ohm resistor is required.