

IMC-595MPI

Industrial 4TX/1SFP Light Managed PoE BT Media Converter



Features

- Versatile 5-port, up to 180W power output media converter at extended temperature
- Supports Switch/Injector mode setting by SNMP/iView
- Supports SNMP/iView for remote management
- Dip switch for LFPT and Power Force mode
- Supports LLDP
- Supports Jumbo Frames up to 9,216 bytes
- Supports Modbus Tcp
- Supports Broadcast Storm Control ON/OFF

Introduction

Advantech's IMC-595MPI three-in-one mega PoE media converter is a compact, industrial grade solution that can serve as a fiber-to-Ethernet media converter, a 90W*2 PoE injector and a light management Ethernet switch.

It supports Link Fault Pass Through (LFPT) and Force-Power functionality. It also allows flexible topology by switching from injector mode to switch mode. Therefore it is best fit used in harsh environment which needs slight network deployment changes.

Specifications

Communications

- **Standard** IEEE 802.3, 802.3u, 802.3x, 802.3af/at/bt, 802.3ab, 802.3z
- **LAN** 4 x 10/100/1000Mbps(RJ-45)+
1 x 100/1000Mbps(SFP)
- **Transmission Distances** See product startup manual
- **Transmission Speed** Up to 1000 Mbps

Interface

- **Connectors** 4 x RJ-45 (2 x PoE)
1 x SFP
- **DIP Switch** PIN1 PoE Force Mode: ON/OFF (default OFF)
PIN2 LFPT: ON/OFF (default ON)
- **LED Indicators** System/Status//PoE
UTP-/Speed/LNK/ACT
Fiber(P5): LNK/ACT

Power

- **Power Consumption** IMC-595MPI-A: 182W
IMC-595MPI-PS-A: 122W
- **Power Input** 55~57V_{DC}
- **Power Output** 2 x Gigabit PoE, up to 120W with AC adaptor
2 x Gigabit PoE, up to 180W with DC power supply
- **Connectors** 2P Pluggable Terminal Block, DC Jack

Physical

- **Enclosure** IP30, Metal shell with solid mounting kits
- **Dimensions (W x H x D)** 92.5 x 98 x 21 mm (3.65 x 3.86 x 0.83 in.)
- **Mounting** Wall, DIN-rail

Protection

- **Reverse Polarity** Present

Environment

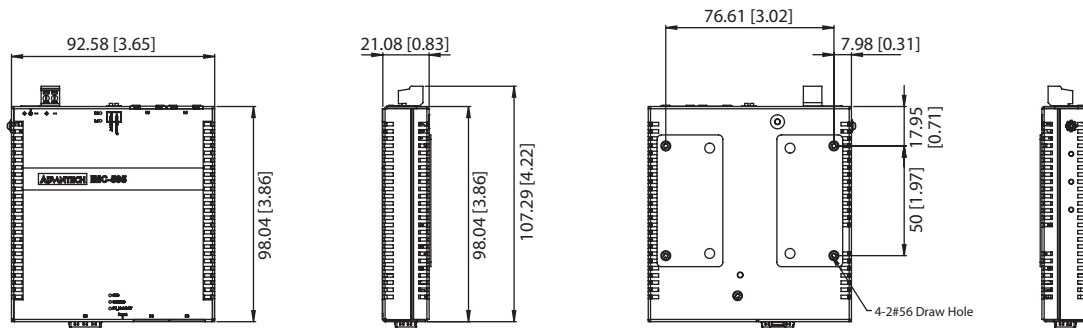
- **Operating Temperature** IMC-595MPI-A: -40 ~ 75°C (-40~167°F)
IMC-595MPI-PS-A: -10 ~ 40°C (-14~104°F)
- **Storage Temperature** IMC-595MPI-A: -40 ~ 85°C (-40~185°F)
IMC-595MPI-PS-A: -10 ~ 40°C (-14~104°F)
- **Operating Humidity** 10 ~ 95% (non-condensing)
- **Storage Humidity** 10 ~ 95% (non-condensing)
- **MTBF** IMC-595MPI-A: 699,158 hours
IMC-595MPI-PS-A: 244,570 hours

Certification

- **EMI** CE, FCC Class A,
- **EMS** EN 61000-4-2
EN 61000-4-3
EN 61000-4-4
EN 61000-4-5
EN 61000-4-6
EN 61000-4-8
- **Shock** IEC 60068-2-27
- **Freefall** Federal Standard 101 Method 5007 Testing procedure B
- **Vibration** IEC 60068-2-6
- **Patent** <http://www.advantech.com/legal/patent>

Dimensions

Unit: mm [inch]



Outline Dimension: 92.58 x 98.04 x 21.08 mm (3.65 x 3.86 x 0.83 in)

Ordering Information

- **IMC-595MPI-A** Industrial managed PoE bt media converter
- **IMC-595MPI-PS-A** Industrial managed PoE bt media converter with 160W adapter
- **IMC-595PS-160** 160W AC adapter (sold separately)

* SFP fibers sold separately – available at www.advantech.com