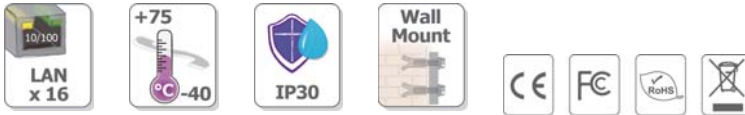


NSM-216 *NEW*

Unmanaged 16-port Industrial 10/100 Base-TX Ethernet Switch



Highlight Information ▶▶▶



Features ▶▶▶

- Provides 16 10/100 Mbps Ethernet ports
- Each port supports both 10/100 Mbps speed auto negotiation
- Supports 4 kV Ethernet ESD protection and 1 kV EFT protection
- Supports operating temperatures from -40 °C ~ +75 °C
- DIN-Rail, Wall Mounting
- Automatic MDI/MDI-X crossover for plug-and-play
- Store-and-forward architecture
- Full duplex IEEE 802.3x and half duplex backpressure flow control
- Supports Dual +12 ~ 48 V_{DC} power input and 1 relay output

Introduction

The NSM-216 has 16 Ethernet ports that support 10/100 Base-TX, with a 10/100M auto negotiation feature and auto MDI/MDI-X function. It can connect 16 workstations and automatically switches the transmission speed (10 Mbps or 100 Mbps) for corresponding connections.

All Ethernet ports have memory buffers that support the store-and-forward mechanism, which assures that data can be transmitted properly. The NSM-216 supports advanced network standards to optimize network performance, reduce maintenance costs, and secure network safety.

The flow control mechanism is also negotiated. There is link/data rate LEDs for each port to aid troubleshooting. Port connectors are shielded RJ-45.

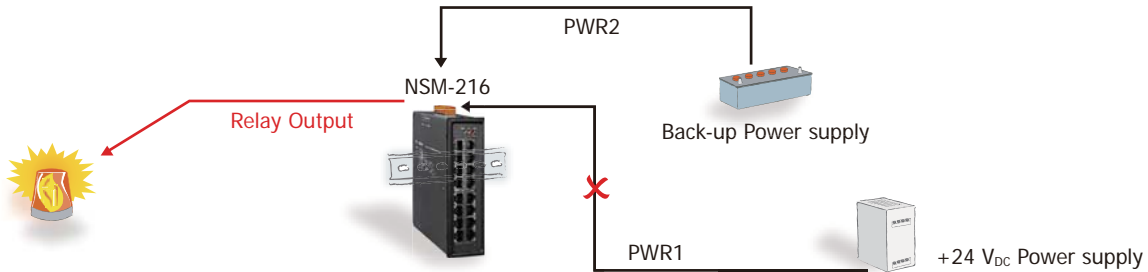
Specifications

Technology	
Standards	IEEE802.3, 802.3u, 802.3x
Processing Type	Store & forward, wire speed switching
MAC Addresses	8K
Memory Bandwidth	3.2 Gbps
Frame Buffer Memory	3 Mbit
Flow Control	IEEE 802.3x flow control, back pressure flow control
Interface	
RJ-45 Ports	10/100 Base-TX auto negotiation speed, F/H duplex mode, and auto MDI/MDI-X connection
LED Indicators	PWR1, PWR2, Power fail, 10/100M, Link/Act
Ethernet Isolation	1500 Vrms 1 minute

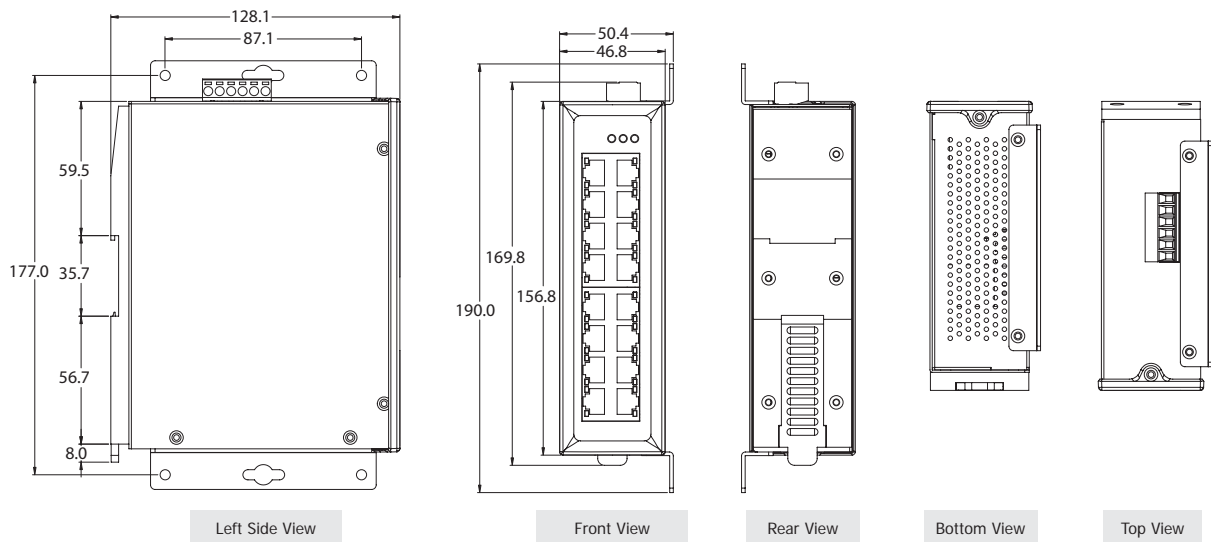
Power	
Redundant Input Range	+12 VDC ~ +48 VDC (Non-isolation)
Power Consumption	0.6 A @ 24 VDC
Alarm Contact	One relay output with current carrying capacity of 1A @ 30 VDC
Protection	Power reverse polarity protection
Connection	6-Pin Removable Terminal Block (Power & Relay)
Mechanical	
Casing	Metal (IP30 Protection)
Dimensions (W x L x H)	25 mm x 168 mm x 119 mm
Installation	DIN-Rail or Wall Mounting
Environmental	
Operating Temperature	-40 °C ~ + 75 °C
Storage Temperature	-40 °C ~ + 85 °C
Ambient Relative Humidity	10 ~ 90% RH, non-condensing

Redundant Power Input

Both power inputs can be connected simultaneously to live DC power sources. If one power source fails, the other live source acts as a backup, and automatically supplies all of NSM-216 series power needs.



Dimensions (Units: mm)



NSM-216

Ordering Information

NSM-216 CR	Unmanaged 16-port Industrial 10/100 Base-TX Ethernet Switch with metal casing (RoHS)
------------	--

Accessories

MDR-20-24	24 V/1 A, 24 W Power Supply with DIN-Rail Mounting
DIN-KA52F	24 V/1.04 A, 25 W Power Supply with DIN-Rail Mounting
DIN-KA52F-48	48 V/0.52 A, 25 W Power Supply with DIN-Rail Mounting