

# PCM-26D2CA

## 2-Port Isolated CANBus mPCIe, CANopen, DB9

**NEW**



### Features

- Meets Advantech iDoor technology standard
- PCI Express® Mini card specification revision 1.2 compliant
- Supports Advantech CANopen protocol library
- Operates two separated CAN networks simultaneously
- High speed transmission up to 1 Mbps
- I/O address automatically assigned by PCIe plug & play
- Supports Win10, Linux Ubuntu 18.04/20.04
- Optical isolation protection of 2,500 V<sub>oc</sub> ensures system reliability
- Includes Windows® DLL library and examples

**iDoor** CANopen  **CE FCC**

### Introduction

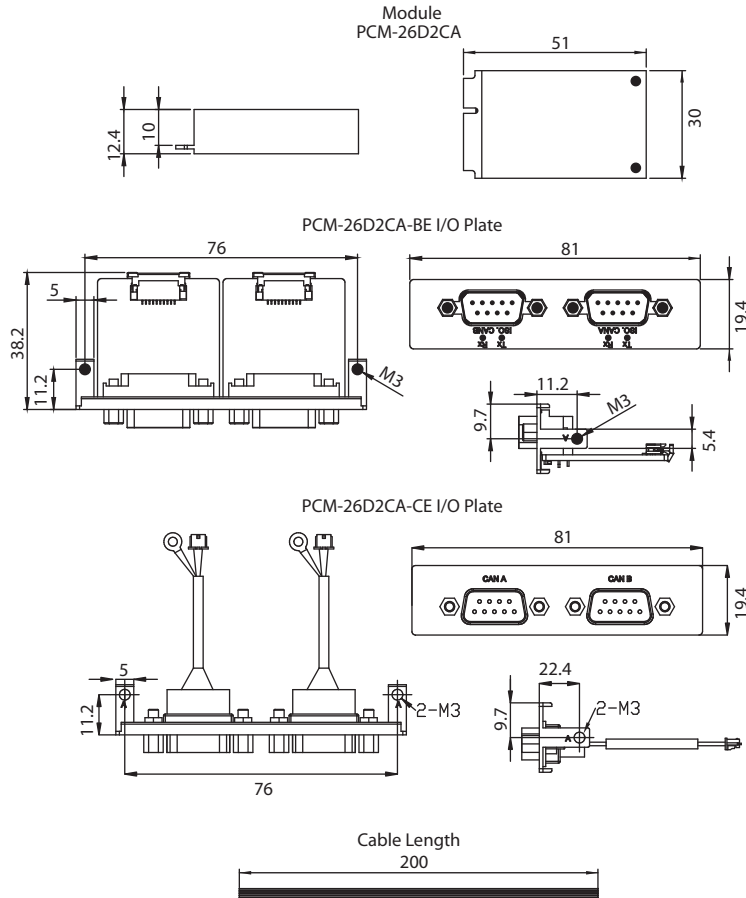
iDoor utilizing mini PCIe format allowing customers the flexibility for I/O and function expansion. The iDoor modules include expansion of wireless communication, industrial fieldbus, I/O and peripherals.

### Specifications

		PCM-26D2CA-BE	PCM-26D2CA-CE
<b>General</b>	Bus Type	PCI Express Mini Card Revision 1.2	USB 2.0
	Certification	CE, FCC class A	
	Connectors	2 x Male DB9	
	Dimensions	Module: 51 x 30 x 12.4 mm (2" x 1.18" x 0.49")	
	Power Consumption	Typical : +5V @ 400 mA	
<b>Communications</b>	CAN Controller	NXP SJA-1000	F81604
	CAN Transceiver	NXP 82C25	NXP_TJA1051T
	Protocol	CAN 2.0 A/B	
	Signal Support	CAN_H, CAN_L	
	Speed	1Mbps	1Mbps
	CAN Frequency	16MHz	24MHz
	Termination Resistor	120 Ohm (selected by jumper)	
<b>Protection</b>	Isolation Protection	2,500 V	
	ESD Protection	15 KV	
	EFT Protection	1KV	1KV
	Surge Protection	1,000 V <sub>oc</sub>	1,000 V <sub>oc</sub>
<b>Software</b>	CAN Bus Driver	Win10, Linux Ubuntu 18.04/20.04	
<b>Environment</b>	Humidity (Operating)	5-95% RH, non-condensing	
	Operating Temperature	-20 ~ 60°C (-4 ~ 140°F)	
	Storage Temperature	-40 ~ 85°C (-40 ~ 185°F)	

**Dimensions**

Unit: mm



**Ordering Information**

- **PCM-26D2CA-BE**      SJA1000 CANBus, CANopen, DB9 x 2,
- **PCM-26D2CA-CE**      USB CANBus, CANopen, DB9 x 2