

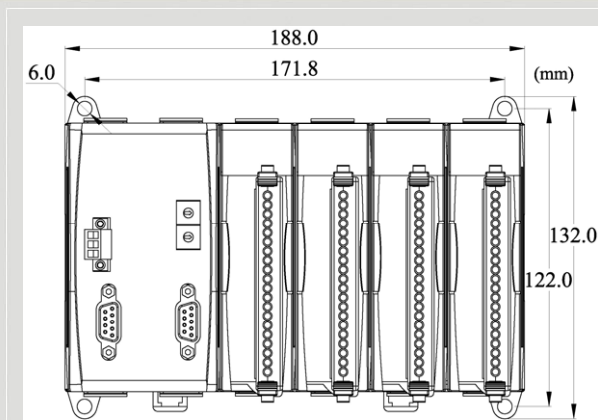


PROFIBUS Series Products

PROFIBUS Remote I/O Unit with 4 Expansion Slots



PROFI-8455



Dimensions

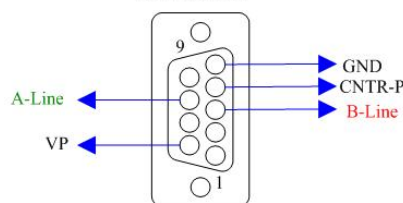
The PROFI-8455 Remote I/O Unit is specially designed for the slave device of PROFIBUS DP protocol. It supports up to 4 slots for ICPDAS I-8k series, I-87k Low Profile series, and I-87k High Profiles series I/O modules. In addition, we also provide hot-swap function for I-87k High Profiles series I/O modules. To setup network, users can choose and configure I/O modules by using the GSD file without any other setting tools.

Features

- Protocol & hierarchy: DP-V0 Slave
- Detect transmission rate automatically (Max. 12Mbps)
- Support all I-8K & I-87K I/O Module.
- Support Device-Related & Channel-Related Diagnosis.
- Address 0~126 set by rotary switches or SSA-Telegram.
- Support Hot-Swap for I-87K High-Profile Modules.
- Network Isolation Protection
- 3000VDC isolation protection on PROFIBUS side.
- 4KV ESD Protection (contacting for any terminal).

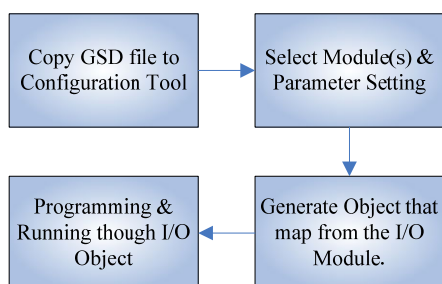
Pin Assignments

Female D-Sub Connector



Pin No.	Signal	Meaning
3	B-Line	Receive/Transmit data - plus
4	CNTR-P	Repeater control signal, RTS signal
5	GND	Power ground of active terminator
6	VP	Power 5 volt of active terminator
8	A-Line	Receive/Transmit data - minus

Design Flowchart



Hot Swap & Auto-configuration

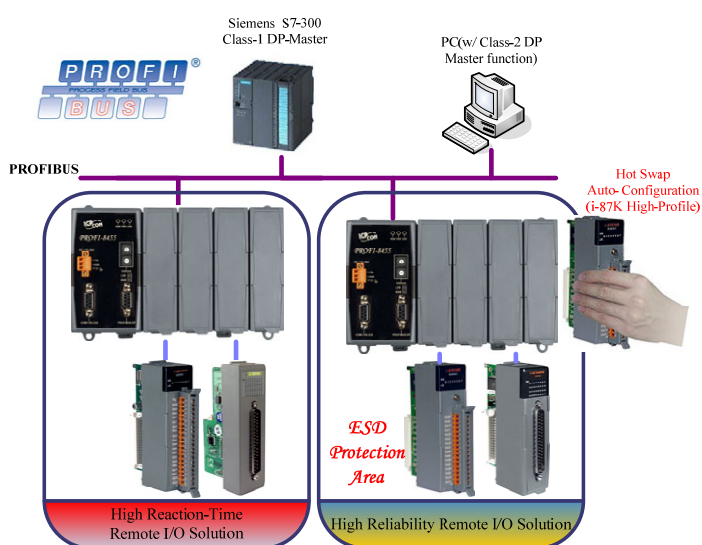
- Diagnostic Message report when module pulls.
- Auto-Reconfiguration issue when module plugs.



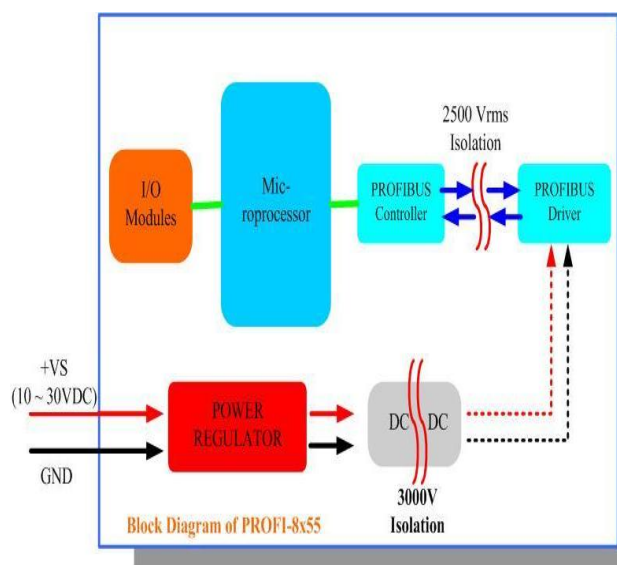
Hardware Specifications

Item	PROFI-8455
CPU	80186, 80MHz or Compatible
Flash	512K Bytes
SRAM	512K Bytes
EEPROM	2K Bytes
Watch Dog Timer	CPU Built-in
COM 1	RS-232 for Update Firmware
I/O Expansion Slot	4 Slots
PROFIBUS Interface	9-pin D-Sub(Female)
PROFIBUS Controller	Siemens SPC3
PROFIBUS Transceiver	ADI ADM2486 iCoupler Isolated Transceiver
Transmission Rate	Up to 12Mbps
Power Requirement	10V ~ 30V
Power Supply	25W
Power Consumption	5W
Operating Temp.	-25°C ~ +75°C
Storage Temp.	-30°C ~ +85°C
Humidity	5% ~ 95% Non-condensing
Dimensions	188mm x 91mm x 132 mm (W x D x H)

Application



Diagram



Ordering Information

PROFI-8455	PROFIBUS Remote I/O Unit with 4 Expansion Slots
PROFI-8455 CR	PROFIBUS Remote I/O Unit with 4 Expansion Slots(RoHS)