

# SERIES RD1U-CAT24

Rackmount KVM Console

# DITHD

DISPLAY INTEGRATION TECHNOLOGIES



## Features:

- **MIL-STD 810F/G Compliant / RUGGED Construction**
- **Keyboard:** 103 Keys with Integrated 2 Button Glide Pad
- **Displays:** 17.3" or 19" LED Backlit LCD with Anti-Glare, High Bright Available
- **Switches:** HDMI (8) / RJ45 (8) Ports Available
- **CAC Card Reader** Included
- **PCAP Touch** Available
- **MIL Grade C300** Solid Bearing Friction Slide Rails
- **Thumb Screw Front Face** with Collapsible Handle
- **Power Usage:** Less than 45W | DC 12V Power Input
- **Dimensions:** 19" W x 1.75" H x 24" D
- **Total Weight:** 30 lbs.
- **Operating Temp.** 173W: 0°C to +70°C  
19LH: -30°C to +85°C

**RD1U-CAT24 Series** is a rugged aluminum rackmount KVM console, clamshell design built to MIL-STD 810F/G Standard. RD1U-CAT24 Series is our most configurable rackmount KVM console. RD1U-CAT24 Series comes with your choice of 19" or 17.3" LCD displays, a variety of keyboards and pointer control options.

Standard options include high bright displays, optical bonded lens, PCAP touch and CAC card reader for additional security.

## LCD Display Options

Size	NITS	Resolution	Response Time	Part Number
<b>Standard Displays</b>				
19"	350	1280 x 1024	8ms	19LH
17.3"	400	1920 x 1080	20ms	173W
<b>High Bright Displays</b>				
19"	1600	1280 x 1024	10ms	19HB
17.3"	1500	1920 x 1080	20ms	173HB

## KVM Switch Options

Video Input	Number of Ports	Keyboard & Mouse Input	Part Number
HDMI	8	USB	031
*RJ45	8	USB	I8

\* Requires additional accessory modules

## Additional Features

Description	Part Number
Keyboard / 2 Button Glide Pad	B2u
FHD Video Controller Board	V35x
PCAP Touch Functionality	TPxx
Thumb Screw Front Face / Handle	E8

## Part Number Configuration

<b>RD1U-CAT</b>	<b>24</b>	<b>XXX</b>	<b>B2u</b>	<b>XXX</b>	<b>V35x</b>	<b>E8</b>	<b>XXX</b>
Rack Drawer 1U Chassis	Rack Drawer Depth	Display Size	Keyboard & Mouse	KVM Switch	Video Controller	Front Face	Display Enhancement

Rev: 20260520



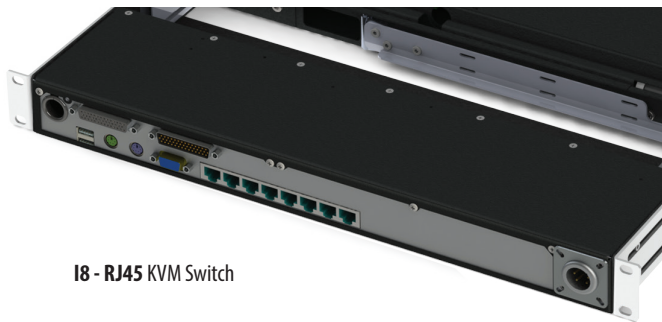
1357 Rocky Point Dr., Oceanside CA 92056  
760.599.9225 | www.DITHD.com | Cage Code 787R6 | sales@DITHD.com

### \*I8 - RJ45 Rackmount KVM Console

Part Number	Display Size
RD1U-CAT2419LH.B2U.I8.V35x.E8	19LH
RD1U-CAT24173W.B2U.I8.V35x.E8	173W
RD1U-CAT2419HB.B2U.I8.V35x.E8	19HB
RD1U-CAT24173HB.B2U.I8.V35x.E8	173HB

#### With PCAP Touch Display

RD1U-CAT2419LH.B2U.I8.V35x.E8.TP19U	19LH
RD1U-CAT24173W.B2U.I8.V35x.E8.TP173U	173W
RD1U-CAT2419HB.B2U.I8.V35x.E8.TP19U	19HB
RD1U-CAT24173HB.B2U.I8.V35x.E8.TP173U	173HB



I8 - RJ45 KVM Switch

### O3.1 - HDMI Rackmount KVM Console

Part Number	Display Size
RD1U-CAT2419LH.B2U.O31.V35x.E8	19LH
RD1U-CAT24173W.B2U.O31.V35x.E8	173W
RD1U-CAT2419HB.B2U.O31.V35x.E8	19HB
RD1U-CAT24173HB.B2U.O31.V35x.E8	173HB

#### With PCAP Touch Display

RD1U-CAT2419LH.B2U.O31.V35x.E8.TP19U	19LH
RD1U-CAT24173W.B2U.O31.V35x.E8.TP173U	173W
RD1U-CAT2419HB.B2U.O31.V35x.E8.TP19U	19HB
RD1U-CAT24173HB.B2U.O31.V35x.E8.TP173U	173HB



O3.1 - HDMI KVM Switch

### \*I8 - RJ45 Rackmount KVM Modules

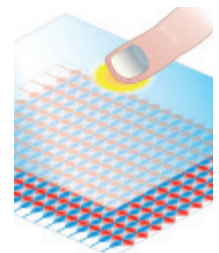
Video Input	KVM IP Input	Part Number
DisplayPort / USB	RJ45 / CAT5 / CAT6	05-17169
VGA / PS/2	RJ45 / CAT5 / CAT6	05-17120
DVI-D / USB	RJ45 / CAT5 / CAT6	05-17166
VGA / USB	RJ45 / CAT5 / CAT6	05-17170
HDMI / USB	RJ45 / CAT5 / CAT6	05-17168
USB-C	RJ45 / CAT5 / CAT6	05-17183

**I8 - RJ45 KVM Modules:** Transmit HDMI and USB signals over a single CAT5/6/7, zero latency, no software or drivers required.



E8 - Thumb Screw Front Face With Collapsible Handle

**PCAP Touch:** Projected Capacitive (PCAP) touch display enhancements are upgraded displays with a specialized overlay and firmware tuning. Providing rugged durability, glove compatibility, and added functionality in all rugged, industrial, medical, and commercial environments.

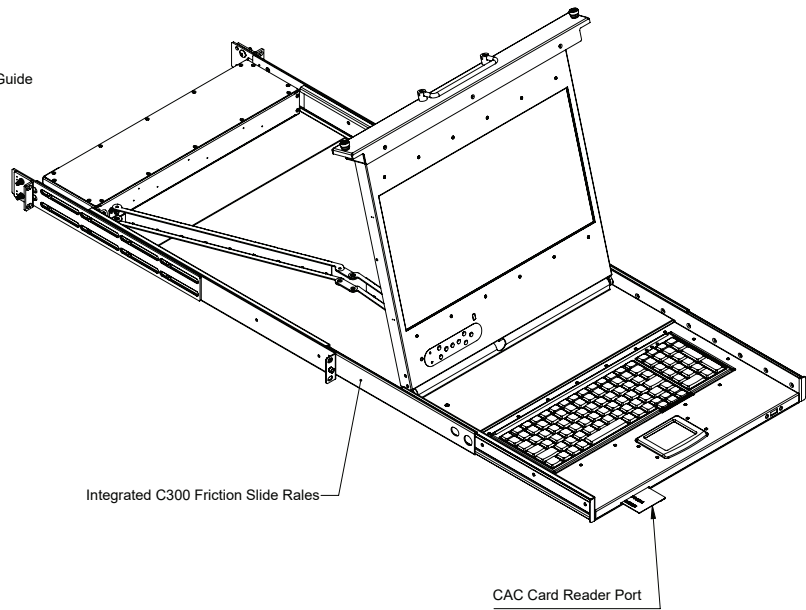
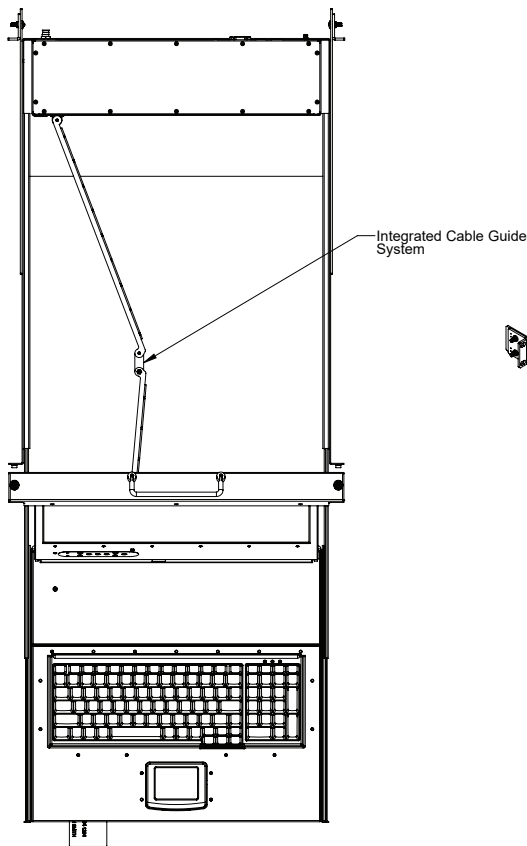
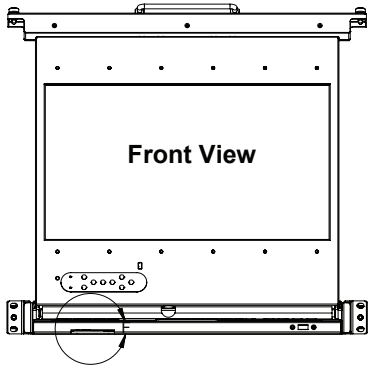


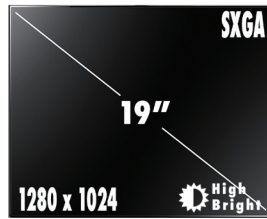
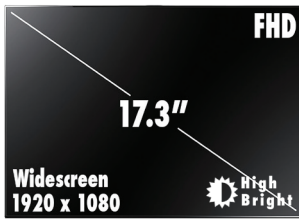
# RD1U-CAT24

Rackmount KVM Console

# DITHD

DISPLAY INTEGRATION TECHNOLOGIES





### 17.3" Displays

	FHD	High Bright FHD
<b>Part Number:</b>	173W	173HB
<b>Size:</b>	17.3"	17.3"
<b>Resolution:</b>	1920x1080	1920x1080
<b>Aspect Ratio:</b>	16:9	16:9
<b>Display Colors:</b>	16.7M	16.7M
<b>Brightness:</b>	400	1500
<b>Contrast Ratio:</b>	600:1	600:1
<b>Response Time:</b>	20ms	20ms
<b>Pixel Pitch:</b>	0.1989x0.1989	0.198x0.198
<b>Viewing Angle:</b>	80/80/60/80	80/80/60/80
<b>Color Gamut :</b>	72%	72%
<b>Operating Temp:</b>	0° to +70°C	0° to +70°C
<b>Storage Temp:</b>	-20° to +70°C	-20° to +70°C

### 19" Displays

	SXGA	High Bright SXGA
<b>Part Number:</b>	19LH	19HB
<b>Size:</b>	19"	19"
<b>Resolution:</b>	1280x1024	1280x1024
<b>Aspect Ratio:</b>	5:4	5:4
<b>Display Colors:</b>	16.7M	16.7M
<b>Brightness:</b>	350	1600
<b>Contrast Ratio:</b>	1000:1	1000:1
<b>Response Time:</b>	8ms	10ms
<b>Pixel Pitch:</b>	0.294x0.294	0.294x0.294
<b>Viewing Angle:</b>	85/85/80/80	85/85/80/80
<b>Color Gamut :</b>	72%	72%
<b>Operating Temp:</b>	-30° to +85°C	-30° to +70°C
<b>Storage Temp:</b>	-30° to +85°C	-30° to +70°C

### 03.1 - HDMI KVM Switch

<b>Format:</b>	HDMI
<b>Input Interface:</b>	(8) HDMI Port (female)
<b>Resolution:</b>	Up to 4K (3840x2160 @30Hz)
<b>Hot Keys:</b>	NONE
<b>Approvals:</b>	UL, CE, ROHS Compliant
<b>Operating Temp:</b>	-58° to 176°F (-50 to 80°C)
<b>Storage Temp:</b>	-58° to 176°F (-50 to 80°C)
<b>Humidity:</b>	up to 80% (No Condensation)

### I8 - RJ45 KVM Switch

<b>Format:</b>	RJ-45 / IP
<b>Input Interface:</b>	(8) or (16) RJ-45 (female)
<b>Resolution:</b>	Up to 1920x1200 @60Hz)
<b>Hot Keys:</b>	Via Keyboard
<b>Approvals:</b>	UL, CE, ROHS Compliant
<b>Operating Temp:</b>	32° to 104°F (0 to 40°C)
<b>Storage Temp:</b>	-4° to 140°F (-20 to 60°C)
<b>Humidity:</b>	up to 80% (No Condensation)

### B2u - Keyboard & Glide Pad

<b>Grade:</b>	Industrial
<b>Keys:</b>	103
<b>Key Life:</b>	5 Million Cycles
<b>Pointer:</b>	2 Button / Cirque Glide Pad
<b>Operating Temp:</b>	32° to 122°F (0° to 50°C)
<b>Storage Temp:</b>	-40° to 140°F (-40° to 60°C)
<b>Interface:</b>	USB (B2u)

# RD1U-CAT24 Series

## Rackmount KVM Console



**RD1U-CAT2419LH.B2U.I8.V35x.E8:** (RD1U) 1 rack unit tall, (CAT24) 24" rack depth rugged aluminum rackmount KVM console, clamshell design. Built to meet MIL-STD 810F/G Standard. (19LH) 19" LED backlit LCD display. (B2U) 103 button keyboard with integrated 2 button glide pad. (I8) 8 port RJ45 KVM switch with required RJ45 KVM Modules. (V35x) FHD 1080x1920 max. resolution @60Hz video controller board. (E8) Locking front face (thumbscrew) with folding handle. CAC card reader for additional security.

**RD1U-CAT24173W.B2U.I8.V35x.E8:** (RD1U) 1 rack unit tall, (CAT24) 24" rack depth rugged aluminum rackmount KVM console, clamshell design. Built to meet MIL-STD 810F/G Standard. (173W) 17.3" LED backlit LCD display. (B2U) 103 button keyboard with integrated 2 button glide pad. (I8) 8 port RJ45 KVM switch with required RJ45 KVM Modules. (V35x) FHD 1080x1920 max. resolution@60Hz video controller board. (E8) Locking front face (thumbscrew) with folding handle. CAC card reader for additional security.

**RD1U-CAT2419HB.B2U.I8.V35x.E8:** (RD1U) 1 rack unit tall, (CAT24) 24" rack depth rugged aluminum rackmount KVM console, clamshell design. Built to meet MIL-STD 810F/G Standard. (19HB) 19" High bright (1600 NITS) LED backlit LCD display. (B2U) 103 button keyboard with integrated 2 button glide pad. (I8) 8 port RJ45 KVM switch with required RJ45 KVM Modules. (V35x) FHD 1080x1920 max. resolution @60Hz video controller board. (E8) Locking front face (thumbscrew) with folding handle. CAC card reader for additional security.

**RD1U-CAT24173HB.B2U.I8.V35x.E8:** (RD1U) 1 rack unit tall, (CAT24) 24" rack depth rugged aluminum rackmount KVM console, clamshell design. Built to meet MIL-STD 810F/G Standard. (173HB) 17.3" High bright (1500 NITS) LED backlit LCD display. (B2U) 103 button keyboard with integrated 2 button glide pad. (I8) 8 port RJ45 KVM switch with required RJ45 KVM Modules. (V35x) FHD 1080x1920 max. resolution @60Hz video controller board. (E8) Locking front face (thumbscrew) with folding handle. CAC card reader for additional security.

**RD1U-CAT2419LH.B2U.I8.V35x.E8.TP19U:** (RD1U) 1 rack unit tall, (CAT24) 24" rack depth rugged aluminum rackmount KVM console, clamshell design. Built to meet MIL-STD 810F/G Standard. (19LH) 19" LED backlit LCD display. (B2U) 103 button keyboard with integrated 2 button glide pad. (I8) 8 port RJ45 KVM switch with required RJ45 KVM Modules. (V35x) FHD 1080x1920 max. resolution @60Hz video controller board. (E8) Locking front face (thumbscrew) with folding handle. (TP19U) PCAP touch functionality. CAC card reader for additional security.

**RD1U-CAT24173W.B2U.I8.V35x.E8.TP173U:** (RD1U) 1 rack unit tall, (CAT24) 24" rack depth rugged aluminum rackmount KVM console, clamshell design. Built to meet MIL-STD 810F/G Standard. (173W) 17.3" LED backlit LCD display. (B2U) 103 button keyboard with integrated 2 button glide pad. (I8) 8 port RJ45 KVM switch with required RJ45 KVM Modules. (V35x) FHD 1080x1920 max. resolution @60Hz video controller board. (E8) Locking front face (thumbscrew) with folding handle. (TP173U) PCAP touch functionality. CAC card reader for additional security.

**RD1U-CAT2419HB.B2U.I8.V35x.E8.TP19U:** (RD1U) 1 rack unit tall, (CAT24) 24" rack depth rugged aluminum rackmount KVM console, clamshell design. Built to meet MIL-STD 810F/G Standard. (19HB) 19" High bright (1600 NITS) LED backlit LCD display. (B2U) 103 button keyboard with integrated 2 button glide pad. (I8) 8 port RJ45 KVM switch with required RJ45 KVM Modules. (V35x) FHD 1080x1920 max. resolution @60Hz video controller board. (E8) Locking front face (thumbscrew) with folding handle. (TP19U) PCAP touch functionality. CAC card reader for additional security.

**RD1U-CAT24173HB.B2U.I8.V35x.E8.TP173U:** (RD1U) 1 rack unit tall, (CAT24) 24" rack depth rugged aluminum rackmount KVM console, clamshell design. Built to meet MIL-STD 810F/G Standard. (173HB) 17.3" High bright (1500 NITS) LED backlit LCD display. (B2U) 103 button keyboard with integrated 2 button glide pad. (I8) 8 port RJ45 KVM switch with required RJ45 KVM Modules. (V35x) FHD 1080x1920 max. resolution @60Hz video controller board. (E8) Locking front face (thumbscrew) with folding handle. (TP173U) PCAP touch functionality. CAC card reader for additional security.

760.599.9225 | [www.DITHD.com](http://www.DITHD.com) | Cage Code 787R6 | [sales@DITHD.com](mailto:sales@DITHD.com)

1357 Rocky Point Dr., Oceanside CA 92056



# RD1U-CAT24 Series

## Rackmount KVM Console



**RD1U-CAT2419LH.B2U.031.V35x.E8:** (RD1U) 1 rack unit tall, (CAT24) 24" rack depth rugged aluminum rackmount KVM console, clamshell design. Built to meet MIL-STD 810F/G Standard. (19LH) 19" LED backlit LCD display. (B2U) 103 button keyboard with integrated 2 button glide pad. (O31) 8 port HDMI KVM switch. (V35x) FHD 1080x1920 max. resolution @60Hz video controller board. (E8) Locking front face (thumbscrew) with folding handle. CAC card reader for additional security.

**RD1U-CAT24173W.B2U.031.V35x.E8:** (RD1U) 1 rack unit tall, (CAT24) 24" rack depth rugged aluminum rackmount KVM console, clamshell design. Built to meet MIL-STD 810F/G Standard. (173W) 17.3" LED backlit LCD display. (B2U) 103 button keyboard with integrated 2 button glide pad. (O31) 8 port HDMI KVM switch. (V35x) FHD 1080x1920 max. resolution @60Hz video controller board. (E8) Locking front face (thumbscrew) with folding handle. CAC card reader for additional security.

**RD1U-CAT2419HB.B2U.031.V35x.E8:** (RD1U) 1 rack unit tall, (CAT24) 24" rack depth rugged aluminum rackmount KVM console, clamshell design. Built to meet MIL-STD 810F/G Standard. (19HB) 19" High bright (1600 NITS) LED backlit LCD display. (B2U) 103 button keyboard with integrated 2 button glide pad. (O31) 8 port HDMI KVM switch. (V35x) FHD 1080x1920 max. resolution @60Hz video controller board. (E8) Locking front face (thumbscrew) with folding handle. CAC card reader for additional security.

**RD1U-CAT24173HB.B2U.031.V35x.E8:** (RD1U) 1 rack unit tall, (CAT24) 24" rack depth rugged aluminum rackmount KVM console, clamshell design. Built to meet MIL-STD 810F/G Standard. (173HB) 17.3" High bright (1500 NITS) LED backlit LCD display. (B2U) 103 button keyboard with integrated 2 button glide pad. (O31) 8 port HDMI KVM switch. (V35x) FHD 1080x1920 max. resolution @60Hz video controller board. (E8) Locking front face (thumbscrew) with folding handle. CAC card reader for additional security.

**RD1U-CAT2419LH.B2U.031.V35x.E8.TP19U:** (RD1U) 1 rack unit tall, (CAT24) 24" rack depth rugged aluminum rackmount KVM console, clamshell design. Built to meet MIL-STD 810F/G Standard. (19LH) 19" LED backlit LCD display. (B2U) 103 button keyboard with integrated 2 button glide pad. (O31) 8 port HDMI KVM switch. (V35x) FHD 1080x1920 max. resolution @60Hz video controller board. (E8) Locking front face (thumbscrew) with folding handle. (TP19U) PCAP touch functionality. CAC card reader for additional security.

**RD1U-CAT24173W.B2U.031.V35x.E8.TP173U:** (RD1U) 1 rack unit tall, (CAT24) 24" rack depth rugged aluminum rackmount KVM console, clamshell design. Built to meet MIL-STD 810F/G Standard. (173W) 17.3" LED backlit LCD display. (B2U) 103 button keyboard with integrated 2 button glide pad. (O31) 8 port HDMI KVM switch. (V35x) FHD 1080x1920 max. resolution @60Hz video controller board. (E8) Locking front face (thumbscrew) with folding handle. (TP173U) PCAP touch functionality. CAC card reader for additional security.

**RD1U-CAT2419HB.B2U.031.V35x.E8.TP19U:** (RD1U) 1 rack unit tall, (CAT24) 24" rack depth rugged aluminum rackmount KVM console, clamshell design. Built to meet MIL-STD 810F/G Standard. (19HB) 19" High bright (1600 NITS) LED backlit LCD display. (B2U) 103 button keyboard with integrated 2 button glide pad. (O31) 8 port HDMI KVM switch. (V35x) FHD 1080x1920 max. resolution @60Hz video controller board. (E8) Locking front face (thumbscrew) with folding handle. (TP19U) PCAP touch functionality. CAC card reader for additional security.

**RD1U-CAT24173HB.B2U.031.V35x.E8.TP173U:** (RD1U) 1 rack unit tall, (CAT24) 24" rack depth rugged aluminum rackmount KVM console, clamshell design. Built to meet MIL-STD 810F/G Standard. (173HB) 17.3" High bright (1500 NITS) LED backlit LCD display. (B2U) 103 button keyboard with integrated 2 button glide pad. (O31) 8 port HDMI KVM switch. (V35x) FHD 1080x1920 max. resolution @60Hz video controller board. (E8) Locking front face (thumbscrew) with folding handle. (TP173U) PCAP touch functionality. CAC card reader for additional security.

760.599.9225 | [www.DITHD.com](http://www.DITHD.com) | Cage Code 787R6 | [sales@DITHD.com](mailto:sales@DITHD.com)

1357 Rocky Point Dr., Oceanside CA 92056

