

STM-602C Series

Industrial Modbus TCP (Two Ethernet Ports) to Two Serial (232,422,485) RTU/ASCII Gateway



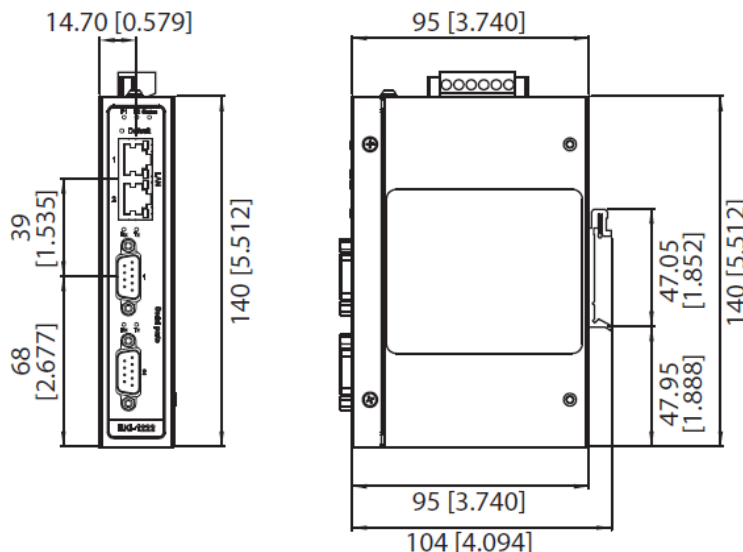
Features

- ▶ 2*10/100 Mbps Ethernet Ports for LAN Redundancy
- ▶ Integrates Modbus TCP and Modbus RTU/ASCII Networks
- ▶ Supports up to 921.6 kbps and Any Baud Rate Setting
- ▶ Supports up to 16 connections per Serial Port Under Modbus Master Mode and 32 Sessions Under Modbus Slave Mode
- ▶ Software-selectable RS-232/422/485 Communication
- ▶ Automatic RS-485 Data Flow Control
- ▶ Redundant Power Input: 12~48VDC
- ▶ Power Polarity Reverse Protection
- ▶ Overload Current Protection
- ▶ DIN-Rail or Wall Mountable
- ▶ Standard and Wide Temperature Models
- ▶ 5-Year Warranty

INTRODUCTION

Antaira Technologies' STM-602C series is an industrial MODBUS gateway that allows legacy MODBUS RTU/ASCII devices to operate on a MODBUS TCP network. It can be configured for either MODBUS serial master or slave to communicate with MODBUS TCP's slave or master. The STM-602C series features two independent Ethernet ports and MAC addresses to provide redundancy and reliability. These devices provide an economical way of connecting MODBUS RTU/ASCII devices to networks accessible anywhere in the world.

DIMENSIONS



SPECIFICATIONS

Ethernet Technology

| | |
|------------------------|--|
| Standards | IEEE 802.3 10Base-T Ethernet IEEE 802.3u 100Base-TX Fast Ethernet |
| Processing Type | Store and Forward |
| Protocol | CSMA/CD |
| No. of Ports | 2 with independent IP and MAC addresses |

Serial Technology

| | |
|-----------------------|--|
| Port Type | RS-232/422/485, software selectable |
| No. of Ports | 2 – DB9 male |
| Data Bits | 5, 6, 7, 8 |
| Stop Bits | 1, 2 |
| Parity | None, Odd, Even, Space, Mark |
| Flow Control | XON/XOFF, RTS/CTS |
| Baud Rate | 50 bps ~ 921.6 kbps, any baud rate setting |
| Serial Signals | RS-232: TxD, RxD, CTS, RTS, DCD, RI, GND RS-422: TxD+, TxD-, RxD+, RxD-, GND RS-485: Data+, Data-, GND |
| Protection | 15 KV ESD for all signals |

Interface

| | |
|----------------------|---|
| Ethernet Port | 2*10/100T(X) auto negotiation speed, Full/Half duplex mode, and auto MDI/MDI-X connection |
|----------------------|---|

| | |
|-----------------------|------------|
| LED Indicators | Link / Act |
|-----------------------|------------|

General

| | |
|-----------------------|---|
| LED Indicators | System: Power, System Status LAN: Speed, Link/Active Serial: Tx, Rx |
| Reboot Trigger | Built-in WDT (watchdog timer) |

Mechanical Characteristics

| | |
|-------------------|--|
| Housing | Metal with solid mounting hardware |
| Dimensions | 37 x 140 x 95 mm (1.46" x 5.51" x 3.74") |
| Weight | 1.06 LBS (0.48 Kg) |
| Mounting | DIN-Rail mounting, Wall mounting |

Power Requirement

| | |
|------------------------------------|-------------------------------|
| Input Voltage | 12 to 48VDC, Redundant Inputs |
| Power Connection | Terminal block |
| Reverse Polarity Protection | Present |
| Overload Current Protection | Present |
| Power Consumption | 3.2 W |

Environmental Limits

| | |
|------------------------------|---|
| Operating Temperature | STD: -10 ~ 60 °C (14 ~ 140 °F) EOT: -40 ~ 70 °C (-40 ~ 158 °F) |
| Storage Temperature | -40 ~ 85 °C (-40 ~ 185 °F) |

| | |
|----------------------------------|-----------------------------|
| Ambient Relative Humidity | 5% to 95%, (non-condensing) |
|----------------------------------|-----------------------------|

Regulatory Approvals

| | |
|---------------------------|--|
| EMC | CE, FCC Part 15 Subpart B (Class A) |
| Hazardous location | UL/cUL (Class I, Division 2, Groups A, B, C and D) |

| | |
|--------------|----------------|
| Green | RoHS Compliant |
|--------------|----------------|

| | |
|-----------------|---------|
| Warranty | 5 Years |
|-----------------|---------|

Software

| | |
|-------------------------|---|
| OS Support | 32-bit/64-bit Windows XP/Vista/7/8/8.1/10, Windows Server 2003/2008/2008 R2/2012/2012 R2 |
| Utility Software | Antaira Device Configuration Utility |
| Operation Modes | Modbus RTU Master/Slave mode Modbus ASCII Master/Slave mode |
| Configuration | Windows Utility, Telnet Console, Web Browser |
| Protocols | ICMP, IP, TCP, UDP, BOOTP, DHCP, Auto IP, SNMP, HTTP, DNS, SMTP, ARP, NTP |

ORDERING INFO

| | |
|-----------------|---|
| STM-602C | Industrial Modbus TCP (two Ethernet port) to two Serial (232,422,485) RTU/ASCII Gateway |
|-----------------|---|

| | |
|-------------------|--|
| STM-602C-T | Industrial Modbus TCP (two Ethernet port) to two Serial (232,422,485) RTU/ASCII Gateway EOT: -40°C to 70°C |
|-------------------|--|

Optional Accessories

| | |
|-----------------|---|
| DR-30-24 | 30W Industrial DIN-Rail Power Supply, 24VDC |
|-----------------|---|

| | |
|-----------------|---|
| DR-60-24 | 60W Industrial DIN-Rail Power Supply, 24VDC |
|-----------------|---|