

### Overview

The FOI-5402 and TD-5402 provide complete electrical isolation for E1 communications.

The unit can be used in areas of high electrical noise or in and out of RF shielded enclosures. The fiber optic cable is not susceptible to interference caused by impulse noise, crosstalk, or EMI. Privacy of communications is also enhanced because the fiber optic cable does not radiate any emissions. FiberPlex recommends "R" units for high security applications because the units have added filtering and shielding for RFI suppression.

In addition, fiber optic cable offers much longer transmission distances than copper wiring. Traditional E1 cabling is limited to a maximum distance of 4800ft (1.46km), but multimode optics on the unit can extend the distance to 2km, while singlemode optics can further extend the distance to 20km. A typical link consists of two FOI-5402, one at each end of the network, with a duplex fiber optic cable between them.



### Features:

- Data Rate: 2.048 Mbps
- Supports Euro ISDN PRI (Primary Rate Interface) services, also known as PRA (Primary Rate Access)
- 30B+D data passes transparently

### Applications:

- E1 Trunking Circuits
- Euro ISDN Primary Extension
- PBX Link
- SATCOM Link

### What's the difference between the FOI and the TD versions?

Functionally, the FOI-5402 and TD-5402 are identical. The only differences are the packaging and power supply. The FOI-5402 is part of the FOI line of products designed for ruggedized military applications while the TD-5402 is housed in the commercial 'Throw Down' packaging.

	FOI-5402	TD-5402
<b>Standalone Power</b>	Requires a PSQ-4909 AC supply or PSQ-4920 DC supply	Power Supply included
<b>Power Connection</b>	High Reliability Lemo™ connector	Both circular DC connector and 3-position Phoenix™ quick connect
<b>Chassis Mounting</b>	Uses the RMC series chassis for up to 9 units in 2U or 8 units with redundant power supply	6 units in a 1U with the optional TDR-01-AC
<b>Case</b>	Mil-style sealed steel can enclosure	Durable anodized brushed aluminum

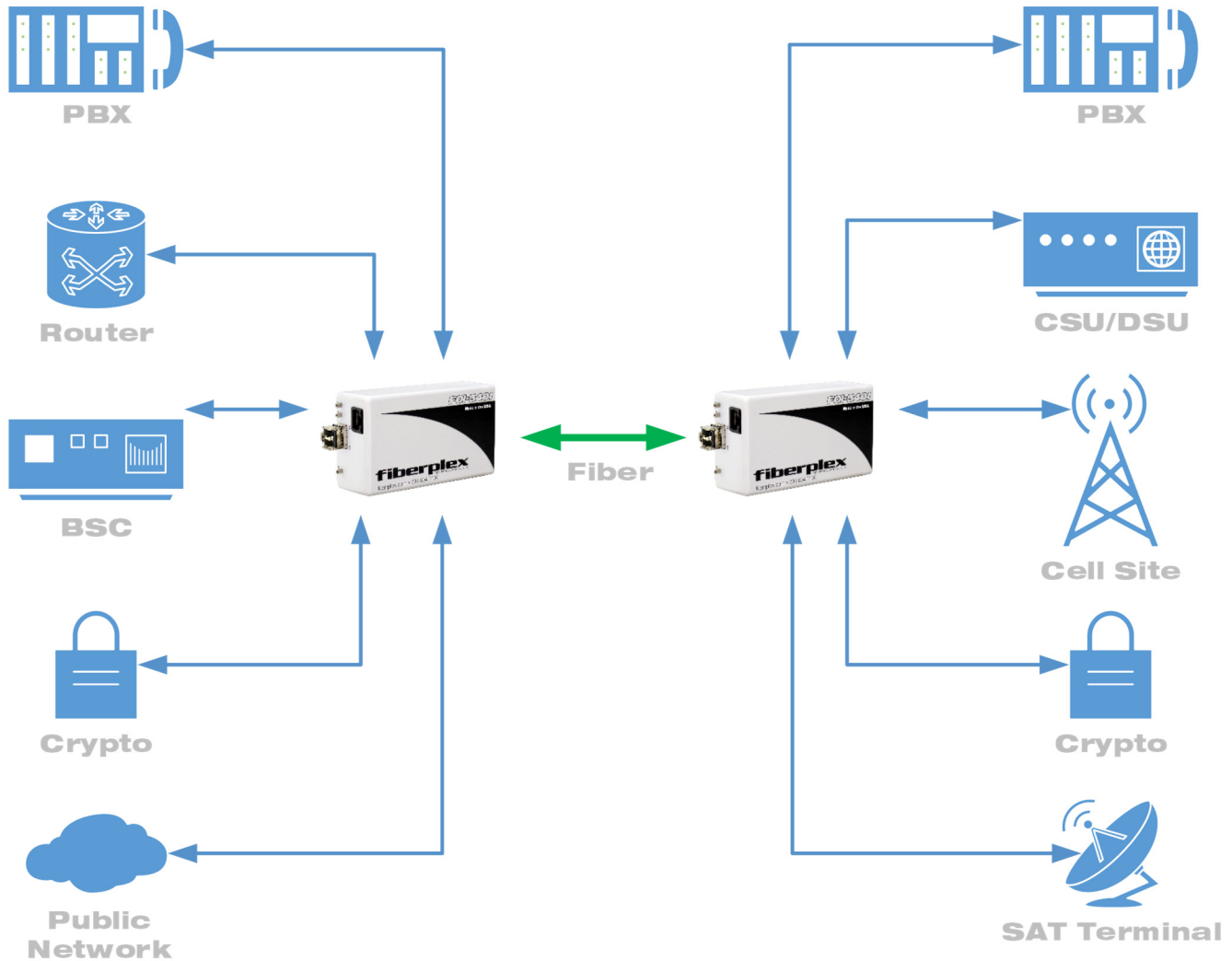
### Typical Applications

A standard link would consist of either a FOI-5402 or TD-5402 at each end of a fiber cable connection. Due to the flexible nature of SFP modules, the SFP version of this unit can accommodate a variety of singlemode, multimode, BiDi or CWDM optical modules providing maximum flexibility. These units create a simple plug and play point to point fiber extension for E1 circuits which makes deployment of application to application and circuit extensions fast and easy.

For mission critical and defense applications, the FOI version has several redundant powering chassis mount options. The TD version is designed for commercial and industrial applications and has a variety of mounting options including DIN rail, NEMA enclosures and 1U rack tray mounting.

See the diagram on page 2 for a diagram of typical endpoints that can be supported by the FOI-5402 and TD-5402.

Typical Point to Point Applications



Ordering Information

FOI-5402 Accessories		Part Number	
PSQ-4909	Power Supply for size 4 FOI type isolators stand-alone configuration	FOI-5402 - T5B	<b>Optical Interface:</b> T22 = multimode, 1310nm, 2km, ST L22 = multimode, 1310nm, 2km, LC T5B = singlemode, 1310nm, 20km, ST L5B = singlemode, 1310nm, 20km, LC C = SFP cage, no optical module  <i>Other Optical interfaces available on our custom Catalog</i>
WMA-3002	Wall mount adapter for FOI type isolators		
RMC-3101	19" Rack mount chassis, 5 1/4" (3U) for FOI type isolators		
CMA-3002	Chassis Mounting Adapter for FOI type isolator		
TD-5402 Accessories			
TDR-01-AC	6 Position Rear Connect Powered Rack for TD Series Modules		<b>Series:</b> FOI = Rugged Mil-Grade Housing TD = "Throw Down" Aluminum Housing
TDP	6 Position Front Connect Powered Rack for TD Series Modules		
TTM	6 Position Truss Mount AC Powered Rack for TD Series Modules		
For a complete list of chassis and accessories see <a href="http://fpx.lc/all_accessories">http://fpx.lc/all_accessories</a>			