



TPS-24-30W

DATA SHEET

Heavy Duty Solar Panel

Features

- Excellent Low Light Performance
- Extremely Reliable. 5 Year Product Warranty. 25 year Solar Cell Output Warranty.
- High Efficiency with High Transparency Low Iron Tempered Glass Cover. Rugged Extruded Anodized Aluminum Frame
- Sealed for Protection from Harsh Environments
- 36" Output Cables with PV Solar Connectors for Easy Hookup

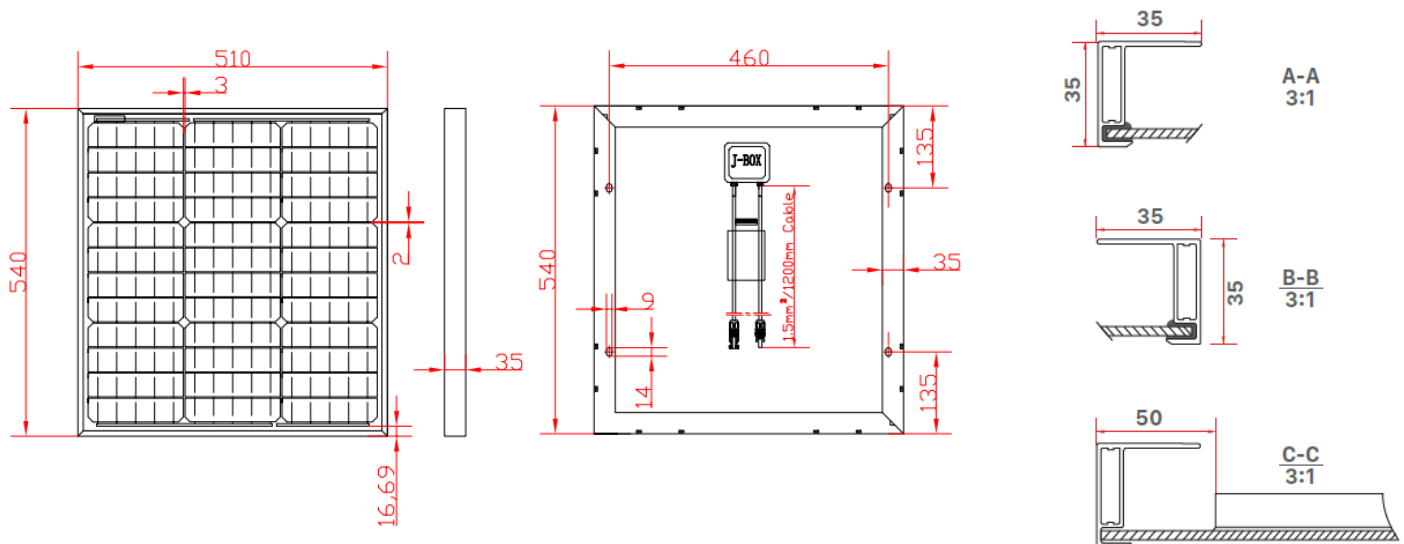


Applications

- Battery Charging Applications
- Wireless Base Stations
- Remote Sensors
- Remote Gates
- Surveillance Cameras
- Outdoor Lighting
- Backup Power Systems
- Electric Fence

Description

The TPS-24-30W solar panels are high efficiency 72 cell designs with excellent low light performance. The polycrystalline silicon solar cells are laminated with a TPT (Tedlar/Polyester/Tedlar) and EVA (Ethylene Vinyl Acetate) bi-layer for high reliability and long life. The cell array is sealed in a heavy duty extruded 6063-T5 aluminum frame with a high transparency low iron tempered glass cover to protect the solar cells from harsh environments; hail, wind, snow and ice. The solar panels are easy to mount because of the aluminum frame design. The wired connections are via a 12AWG x 900mm (36") outdoor rated cable terminated with PV solar connectors.

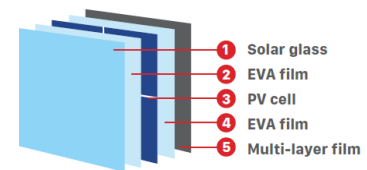


Specifications

TPS-24-30W	
Maximum Power (+/-3%)	30W
Voltage at Pmax (Vmp)	38.4V
Current at Pmax (Imp)	0.79A
Open Circuit Voltage (Voc)	45V
Short Circuit Current (Isc)	0.84A
Short Circuit I Temp Coeff	+ 0.045% / °C
Open Circuit V Temp Coeff	-0.292% / °C
Output Power Temp Coeff	-0.408%/°C
Wind Survivability	201kph (125mph)
Hailstone Survivability	1" @ 50mph
Operating Temperature	-40 to +85°C
Continuous Power Capability (6hrs average sunlight per day)	7.5W
Size	540 x 510 x 35mm (21.3 x 20.1 x 1.4")
Weight	4kg (8.8lb)
Warranty	5 Year Product / 25 Year Output

System Ordering:

TPS-24-30W 24V 30W Heavy Duty Solar Panel



For further information contact:

Tyconsystems.com

