



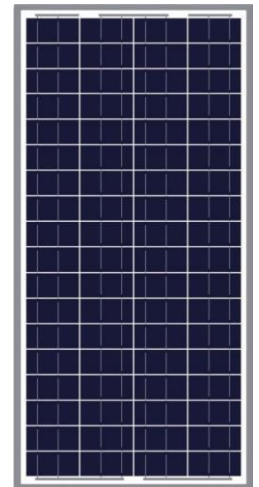
**TPS-24-50W**

## DATA SHEET

### Heavy Duty Solar Panel

#### Features

- Excellent Low Light Performance
- Extremely Reliable. 5 Year Product Warranty. 25 year Solar Cell Output Warranty.
- High Efficiency with High Transparency Low Iron Tempered Glass Cover. Rugged Extruded Anodized Aluminum Frame
- Sealed for Protection from Harsh Environments
- 36" Output Cables with PV Solar Connectors for Easy Connections



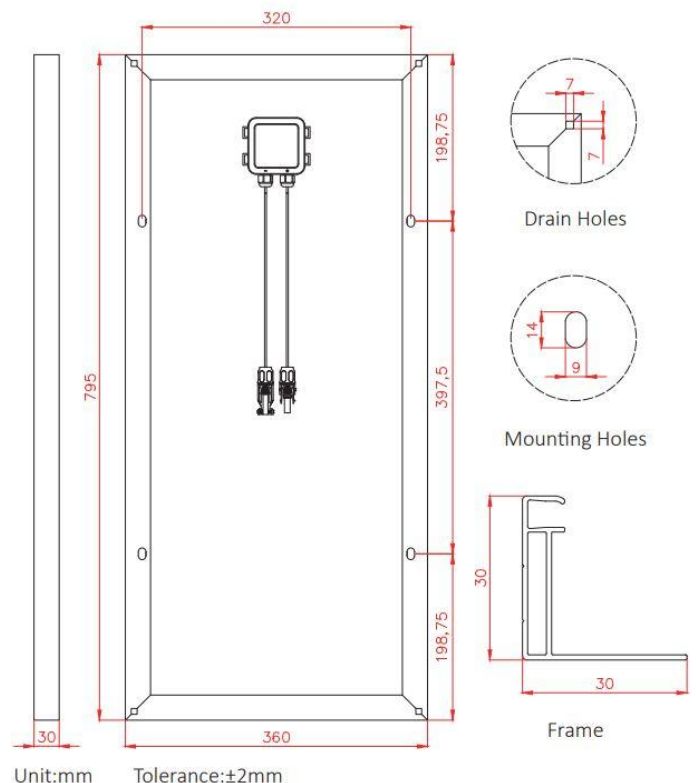
#### Applications

- Battery Charging Applications
- Surveillance Cameras
- Wireless Base Stations
- Outdoor Lighting
- Remote Sensors
- Backup Power Systems
- Remote Gates
- Electric Fence

#### Description

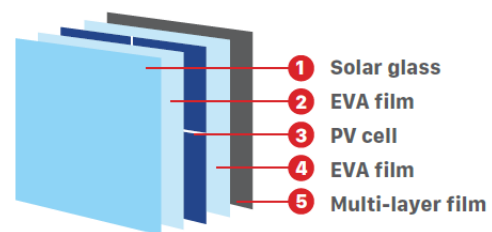
The TPS-24-50W utilizes advanced MBB half-cell technology, delivering more uniform current collection and significantly reducing internal heat loss for improved reliability and efficiency. Its 36 1/3-cell monocrystalline N-type design enables higher output power, with module performance reaching up to 50W, even in compact formats. Enhanced low-light response ensures superior energy production during mornings, evenings, and cloudy conditions.

Built with N-type solar cells, the module naturally exhibits very low LID (Light-Induced Degradation) and excellent resistance to PID (Potential-Induced Degradation), maintaining long-term performance and maximizing power generation. These combined features make the module highly durable, efficient, and optimized for consistent energy yield in a wide range of environmental conditions.



**Specifications**

TPS-24-50W	
<b>Maximum Power (+/-3%)</b>	50W
<b>Voltage at Pmax (Vmp)</b>	42.48V
<b>Current at Pmax (Imp)</b>	1.18A
<b>Open Circuit Voltage (Voc)</b>	51.11V
<b>Short Circuit Current (Isc)</b>	1.24A
<b>Short Circuit I Temp Coeff</b>	+ 0.05% / °C
<b>Open Circuit V Temp Coeff</b>	-0.28% / °C
<b>Output Power Temp Coeff</b>	-0.34%/°C
<b>Wind Survivability</b>	201kph (125mph)
<b>Hailstone Survivability</b>	1" @ 51mph
<b>Operating Temperature</b>	-40 to +85°C
<b>Module Efficiency</b>	19.9%
<b>PV Cable Length with PV Connectors</b>	914mm (36")
<b>Size</b>	795 x 360 x 30mm (31.3 x 14.2 x 1.18")
<b>Weight</b>	4kg (8.8lb)
<b>Warranty</b>	5 Year Product / 25 Year Output

**System Ordering:****TPS-24-50W** 24V 50W Heavy Duty Solar Panel**For further information contact:**

Tyconsystems.com



**TYCON Solar®**  
930 W 14600 S Suite 600  
Bluffdale, UT 84065  
PH: 801-432-0003  
FAX: 801-618-4220