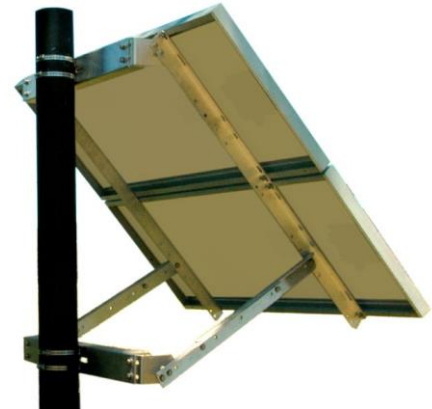




### Solar Panel Mounts

#### Features

- Simple, Low Cost Design
- Flexible Side of Pole Mounting ( to 4.5” dia. Pole)
- Heavy Duty Aluminum and Stainless Steel components for long life
- Easy to Install – Reduced Installation Time
- Quick tilt adjustment
- Certified for up to 110MPH Winds



#### Applications

- 5W to 325W Solar Panels
- Remote Power Systems

#### Description

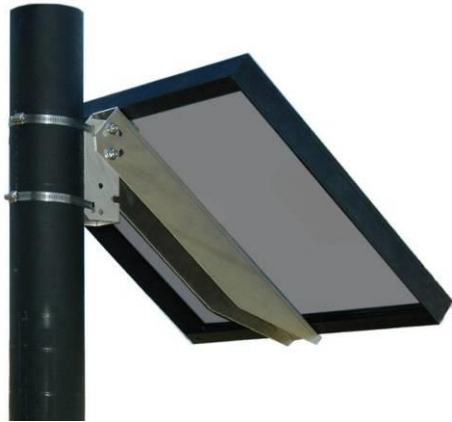
The TPSM series of solar panel mounts are designed to be used with Tycon® solar panels but are flexible in their design and can be used with other manufacturer’s solar panels. The low cost simple designs reduces installation costs, saving the installer precious install time. The construction is heavy duty aluminum with all stainless steel hardware for very long service life in the harshest conditions.



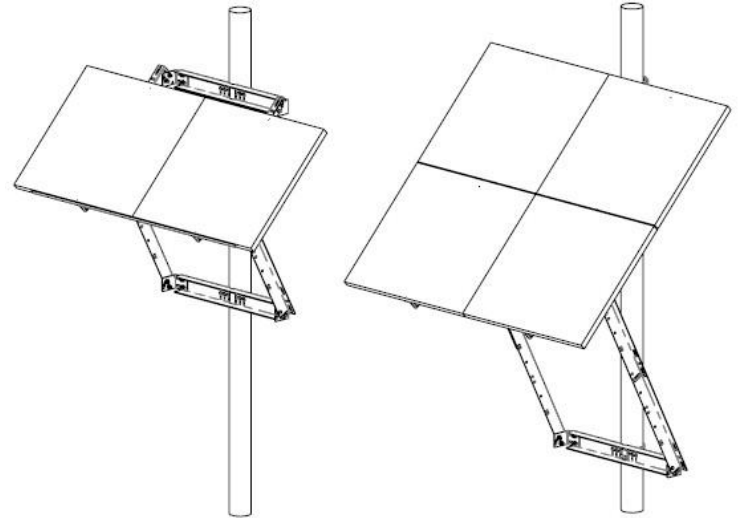
TPSM-5-10-SP

#### Specifications

	TPSM-5-10-SP	TPSM-10-15-SP	TPSM-30-80-SP	TPSM-80x4-UNI
<b>Solar Panel Width</b>	Up to 10”	10” to 14”	16” to 26”	Up to 54”
<b>Typical Solar Panel Size</b>	5W to 10W	10W to 15W	30W to 85W	120W to 360W
<b>Solar Panel Mount Type</b>	Edge Clip	Edge Clip	Edge Clip	Edge Clip
<b>Pole Diameter</b>	1” to 2”	1.6” to 4.5”	1.6” to 4.5”	2” to 4.5”
<b>Pole Attach</b>	U-Bolt	Stainless Steel Hose Clamp (5/16” driver)	Stainless Steel Hose Clamp (5/16” driver)	
<b>Wind Speed Rating</b>	90MPH	110MPH	110MPH	90MPH
<b>Shipping Weight</b>	0.26kg (0.6lb)	1.1kg (2.5lb)	1.6kg (3.5lb)	10.6kg (23.3lb)
<b>Shipping Dimensions</b>	108 x 89 x 32mm (4.25 x 3.5 x 1.25”)	381 x 102 x 102mm (15” x 4” x 4”)	686 x 102 x 102mm (27” x 4” x 4”)	1372 x 152 x 127mm (54” x 6” x 5”)
<b>Tilt Adjustment</b>	Fixed 40°	0° to 90°	0° to 90°	15° to 65°
<b>Warranty</b>	3 Years			



**TPSM-10-15-SP**  
**TPSM-30-80-SP**



**TPSM-80x4-UNI**

**System Ordering:**

- TPSM-5-10-SP** Side of pole mount for one 5W to 10W solar panel
- TPSM-10-15-SP** Side of pole mount for one 10W to 15W solar panel
- TPSM-30-80-SP** Side of pole mount for one 30W to 80W solar panel
- TPSM-80x4-UNI** Side of pole mount for one to two 120W–130W panels or two to four 80W Solar Panels.  
Universal solar panel edge clips.

**For further information contact:**

Tyconsystems.com

