

VP-IR2

High power IR illuminator for industrial surveillance



- > DSI technology
- > More than 50% energy savings
- > Flexible beam pattern
- > Wide application range
- > D/O for ICR synchronization

Note: The VPort camera should use DC power to accept volt-free relay output from the VP-IR2 series.

Introduction

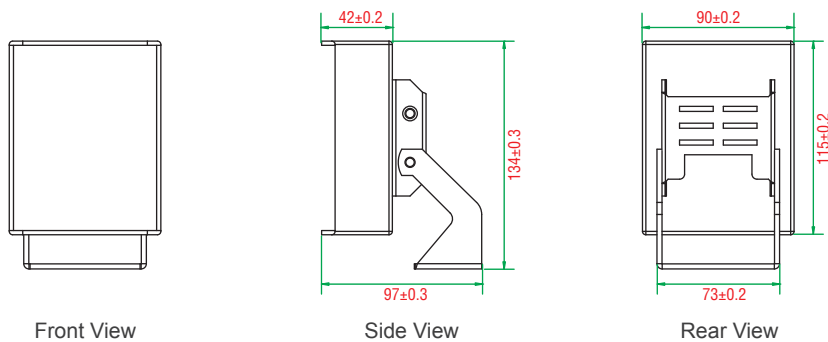
The VP-IR2 series IR illuminator is designed specifically to work with Moxa VPort series IP cameras and PT scanners. It features high power efficiency and a lower LED life cycle, and is suitable for all

types of industrial surveillance applications. The VP-IR2 can be easily mounted on a VPort camera housing or IR bracket available for Moxa PT scanners.

Specifications

Infrared Wavelength	850 nm
Angle	20 to 60° (optional)
IR Effective Range	Up to 100 m
Automatic IR On/Off	Controlled by built-in photocell
Operating Temperature	-30 to 60°C (-22 to 140°F)
Weatherproofing	IP66
ICR Switching	Volt-free relay output
Power Consumption	12 W
Power Requirement	12 VDC

Dimensions



Ordering Information

Available Models

VP-IR22080: Infrared LED illuminator, 20°, 850 nm, 12 VDC, illuminates up to 60 to 100 m

VP-IR26080: Infrared LED illuminator, 60°, 850 nm, 12 VDC, illuminates up to 20 to 50 m

Package Checklist

- IR illuminator
- Mounting screws
- Relay wire
- Quick installation guide