



Features

- Excellent C/P ratio (cost/performance)
- High-resolution color touch screen
- RTC (Real Time Clock)
- Multiple serial communication interfaces
- Rubber Keypad (VPD-132-H/VPD-133-H)
- GUI design
- Free HMIWorks development tool
- Supports the popular C programming language and Ladder designer
- Supports the custom communication protocol (C language)
- ESD Protection: 4 kV
- Front Panel: IP65 Waterproof
- I/O Expansion Boards (XV-Boards)
- Supports Ethernet (VPD-133-H/VPD-133N-H)
- Operating temperature: -20 ~ 50°C

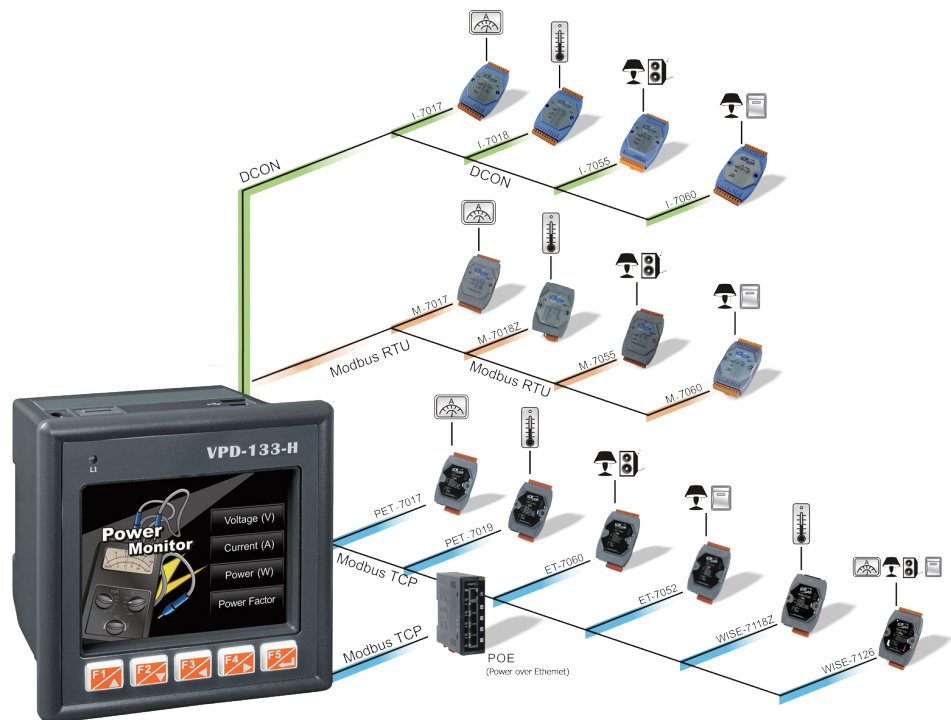
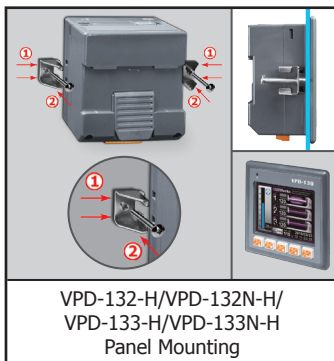
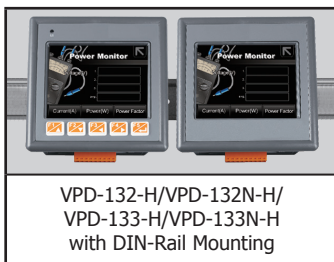


Introduction

VPD industrial touch HMI device series features, 3.5" high resolution color touch screen LCD. With touchscreen capability, it is easy to deploy into all kinds of automation systems, and make them more intuitive and efficient. Either setup new system installations or complete system retrofits, VPD series stands out for its wide variety of communication methods. Its built-in communication ports include RS-232/RS-485, and Ethernet, USB interface, enable integration into the system allowing users to control, monitor I/O at the remote sides and update firmware directly from the central computer. Besides, the built-in non-volatile storage makes VPD series more reliable for rugged environments.

HMIWorks, the free development software for VPD series, provides an easy-to-use environment, and powerful and intuitive programming with graphic capabilities to let users create appealing graphical interface screens in minutes. For PLC users, HMIWorks provides Ladder Designer and C language environment for IT users. Especially, it only takes no more than 30 minutes to learn how to create an application program when using Ladder Designer. With all the features provided, VPD series touch HMI Devices must be the most cost effective HMI Device ever been in the market.

Applications



Applications

Status Display

Presentations

Factory/Machine Automation

User-defined HMI

Schedule Management with Built-in RTC

Multi-display

Multi-page Design

Power Monitor

- Voltage (V)
- Current (A)
- Power (W)
- Power Factor

	Time	Shutdown	Cumulative Time
1	120 _m	Start	120 _m Reset
2	120 _m	Start	120 _m Reset
3	120 _m	Start	

Multi-page Design

Temperature: 26°C

Remaining Time: 120_m

Current Value: 110 V

Date: 2010/03/23

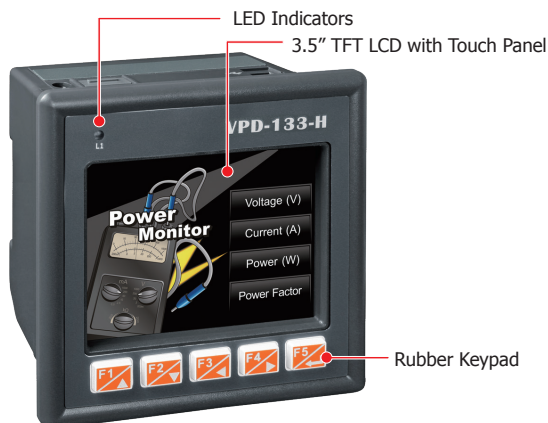
Time: 11:25:25

Specifications

Models	VPD-132	VPD-132N	VPD-133	VPD-133N
CPU Module				
CPU	32-bit RISC CPU			
Memory Expansion	16 MB SDRAM / 8 MB Flash			
Real Time Clock (RTC)	Yes			
Buzzer	Yes			
Rotary Switch (0~9)	Yes			
Communication Interface				
COM1	RS-485 (including Self-Tuner) +RS-232 (3-pin)			
COM2	RS-485 (including Self-Tuner)			
USB 1.1 Client	Firmware updates only			
Ethernet	-		RJ-45 x 1, 10/100 Base-TX	
I/O Expansion				
I/O Expansion Bus	Yes, XV-board			
MMI (Main Machine Interface)				
LCD	3.5" TFT (Resolution 240 x 320 x 16), defective pixels <= 3			
Backlight Life	20,000 hours			
Brightness	270 cd/m2			
LED Indicator	Yes	-	Yes	-
Touch Panel	Yes			
Reset Button	Yes			
Rubber Keypad	5 keys (Programmable)	-	5 keys (Programmable)	-
Electrical				
Powered from Terminal Block	+12 ~ 48 Vdc			
Powered from PoE	IEEE 802.3af, Class1 (48 V)			
Power Consumption	2W			
Mechanical				
Dimensions (W x L x H)	103 mm x103 mm x 53 mm			
Ingress Protection	Front Panel: IP65			
Installation	DIN-Rail Mounting and Panel Mounting			
Environmental				
Operating Temperature	-20 ~ +50°C			
Storage Temperature	-30 ~ +80°C			
Ambient Relative Humidity	10 ~ 90% RH, non-condensing			

Appearance

VPD-132/VPD-133 Front View

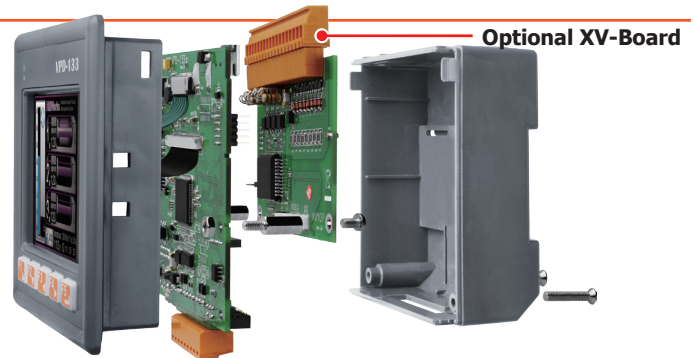


VPD-132N/VPD-133N Front View



XV-Board Assembly Drawing

Making VPD series
have its own I/O to control!

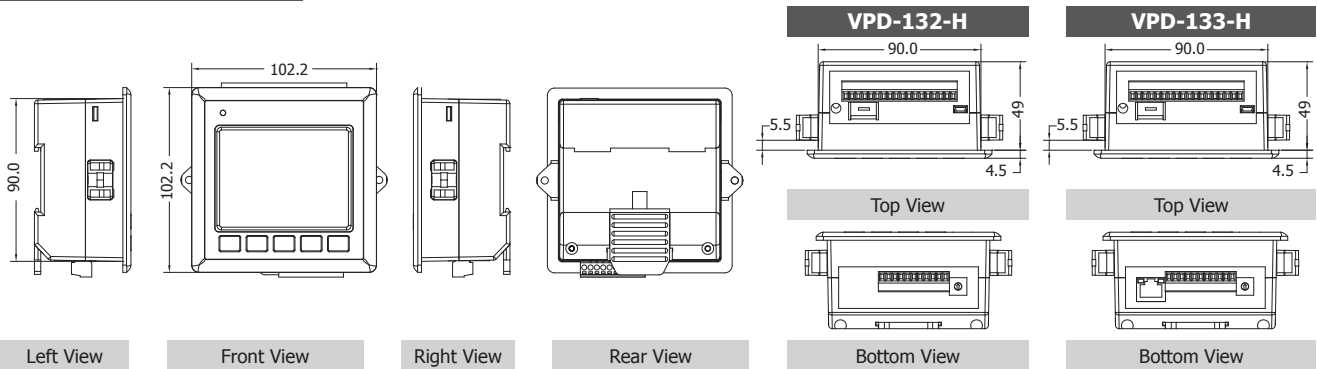


DIO Board						Relay Output Board	
Model	XV107	XV107A	XV110	XV111	XV111A	XV116	
Image							
Digital Input							
Channel	8	8	16			5	
Contact	Wet	Wet	Dry+Wet			Wet	
Sink/Source (NPN/PNP)	Source	Sink	Sink/Source			Sink/Source	
Wet Contact	On Voltage Level	+3.5 Vdc ~ +50 Vdc				+3.5 Vdc ~ +50 Vdc	
	Off Voltage Level	+1 Vdc Max.				+1 Vdc Max.	
Dry Contact	On Voltage Level	-	Close to GND			-	
	Off Voltage Level	-	Open			-	
Counters	Channels	8	16			5	
	Max. Count	32-bit (0 ~ 4, 294, 967, 285)				32-bit (0 ~ 4, 294, 967, 285)	
	Max. Input Frequency	50 Hz				50 Hz	
	Min. Pulse Width	10 ms				10 ms	
Input Impedance	10 KΩ, 0.5 W					10 KΩ, 0.5 W	
Overvoltage Protection	70 Vdc					70 Vdc	
Digital Output							
Channel	8			16			
Type	Open Collector	Open Emitter		Open Collector	Open Emitter		
Sink/Source (NPN/PNP)	Sink	Source		Sink	Source		
Load Voltage	+3.5 Vdc ~ 50 Vdc	+10 Vdc ~ 40 Vdc	-	+3.5 Vdc ~ 50 Vdc	+10 Vdc ~ 40 Vdc	-	
Max. Load Current	700 mA/channel	650 mA/channel		600 mA/channel			
Overload Protection	1.4 A			1.4 A			
Relay Output							
Channel					2 (channel0, 1)	4 (channel 2~5)	
Type					Signal Relay	Power Relay	
Form A Relay	Contact Rating					2 A @ 30 VDC 0.24 A @ 220 VDC 0.25 A @ 250 VAC	6 A @ 35 VDC 6 A @ 240 VAC
	Min. Contact Load					10 mA @ 20 mV	100 mA @ ≥ 12 V
	Contact Material					Silver Nickel, Gold-covered	Silver Cadmium Alloy
	Operate Time					3 ms (typical)	5 ms (typical)
	Release Time					4 ms (typical)	1 ms (typical)
	Mechanical Endurance					10 ⁸ ops.	30 X 10 ⁶ ops.
	Electrical Endurance					2 X 10 ⁵ ops.	1 X 10 ⁵ ops.
Isolation							
Intra-module Isolation, Field to Logic					3750 Vdc		
Power Requirements							
Consumption	0.15 W	0.45 W	0.25 W	0.2 W	0.8 W	1.2 W	

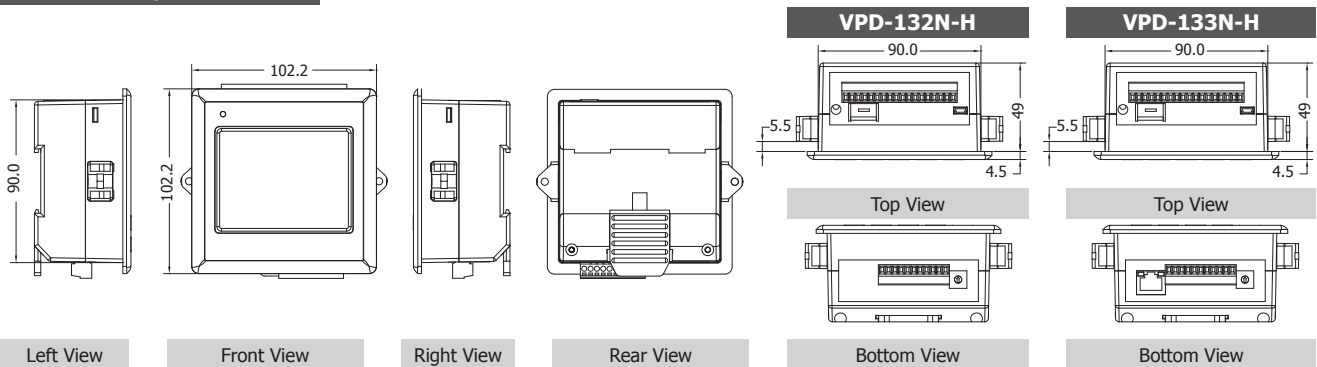
Multifunction Board				
Model	XV306	XV307	XV308	XV310
Image				
Analog Input				
Channel	4		8	4
Sensor Type	+/- 1 V, +/- 2.5 V, +/- 5 V, +/- 10 V, 0 ~ 20 mA, 4 ~ 20 mA, +/-20 mA (Jumper selectable)		+/- 1 V, +/- 2.5 V, +/- 5 V, +/- 10 V, 0 ~ 20 mA, 4 ~ 20 mA, +/-20 mA (Jumper selectable)	
Resolution	16-bit	-	16-bit	
Sampling Rate	Normal Mode		10 Hz	
	Fast Mode		200 Hz	
Input Impedance	20 MΩ		20 MΩ	
Overvoltage Protection	120 Vdc		120 Vdc	
Analog Output				
Channel		2		2
Range	-	0 V ~ +5 V, ±5 V, 0 V ~ +10 V, ±10 V, 0 mA ~ +20 mA, +4 mA ~ +20 mA (Jumper Selectable)	-	0 V ~ +5 V, ±5 V, 0 V ~ +10 V, ±10 V, 0 mA ~ +20 mA, +4 mA ~ +20 mA (Jumper Selectable)
Resolution		12-bit		12-bit
Voltage Output Capability		10 V @ 20 mA		10 V @ 20 mA
Current Load Resistance		500 Ω		500 Ω
Universal Digital Input/Output				
Channel		-	DI+DO=8 (by Wire)	-
Digital Input				
Channel	4		-	4
Sink/Source (NPN/PNP)	Sink/Source		Source	Source
Wet Contact	On Voltage Level	+3.5 ~ +50 Vdc	+1 VDC Max.	-
	Off Voltage Level	+1 VDC Max.	+4 ~ 30 VDC	-
Dry Contact	On Voltage Level	-	Close to GND	Close to GND
	Off Voltage Level	-	Open	Open
Counters	Max. Count	32-bit (0~4,294,967,285)		
	Max. Input Frequency	50 Hz		
	Min. Pulse Width	10 ms		
Overload Protection	70 VDC		60 VDC	60 VDC
Digital Output				
Channel	4		-	4
Type	Power Relay (Form A)		Sink	Source
Load Voltage			3.5 ~ 50 Vdc	+10 ~ +40 Vdc
Max. Load Current			700 mA	650 mA/channel
Overload Protection			60 VDC	47 VDC
Contact Rating	6 A @ 35 VDC 6 A @ 240 VAC			
Min. Contact Load	100 mA @ ≥ 12 V		-	-
Operate/Release Time	5 ms (typical)/1 ms (typical)			
Mechanical/Electrical Endurance	30 x 10 ⁶ ops./1 x 10 ⁵ ops.			
Isolation				
Intra-module Isolation, Field to Logic	2000 Vdc			
Power Requirements				
Consumption	1.6 W		0.8 W	1.6 W

Dimensions (Units: mm)

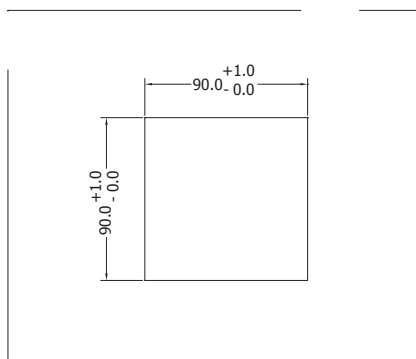
VPD-132-H/VPD-133-H



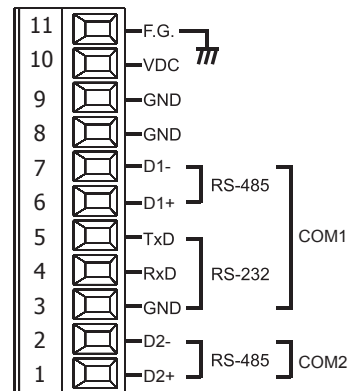
VPD-132N-H/VPD-133N-H



Recommended Panel Cutout






Pin Assignments



Ordering Information

VPD-132-H CR	3.5" Touch HMI device with RS-232/RS-485, USB, RTC, Rubber Keypad, support XV-board (RoHS)
VPD-132N-H CR	3.5" Touch HMI device with RS-232/RS-485, USB, RTC, support XV-board (RoHS)
VPD-133-H CR	3.5" Touch HMI device with Ethernet, RS-232/RS-485, USB, RTC, Rubber Keypad, support XV-board (RoHS)
VPD-133N-H CR	3.5" Touch HMI device with Ethernet, RS-232/RS-485, USB, RTC, support XV-board (RoHS)

Accessories

 CA-USB10	USB to 5P Mini-USB, 28AWG, 1.5 m
 MDR-60-24 CR	24 V _{DC} /2.5A, 60 W Power Supply with DIN-Rail Mounting (RoHS)
 DIN-KA52F CR	24 V _{DC} /1.04 A, 25 W Power Supply with DIN-Rail Mounting (RoHS)