

Y31

2MP Analog Mini Bullet with D/N, Extreme WDR, ELLS, Fixed Lens



- 2 Megapixel
- Fixed Lens with f2.8mm/F2.0
- Extreme WDR
- Wide Angle

► Specifications

Device

Product Type	Analog Mini Bullet
Maximum Resolution	2MP
Application Environment	Outdoor
Image Sensor	Progressive Scan CMOS
Sensor Size	1/3 "
Day / Night	Yes
Low Light Sensitivity	Extreme
Minimum Illumination	Color: 0.02 lux at F2.0 (AGC on); B/W: 0 lux (IR LED on)
Mechanical IR Cut Filter	Yes
IR Working Distance	30m
Electronic Shutter	1/30-1/50000 second (NTSC), 1/25-1/50000 second (PAL)

Lens

Focal Length	Fixed focal, f2.8mm
Aperture	F2.0
Iris	Fixed iris

Focus	Fixed focus
Lens Mount	Board mount
Horizontal Viewing Angle	90.5°
Vertical Viewing Angle	49.6°

Video

Maximum Frame Rate vs. Resolution	(TVI/AHD/CVI) 30 fps at 1920 x 1080 (CVBS) NTSC, PAL
Wide Dynamic Range	Extreme WDR (130 dB)
Image Enhancement	White Balance
Digital Noise Reduction	DNR
Image Orientation	Flip

Network

Ethernet Port	No
---------------	----

Interface

Analog Video Output	1 x BNC connector, supports TVI/AHD/CVI/CVBS
---------------------	--

General

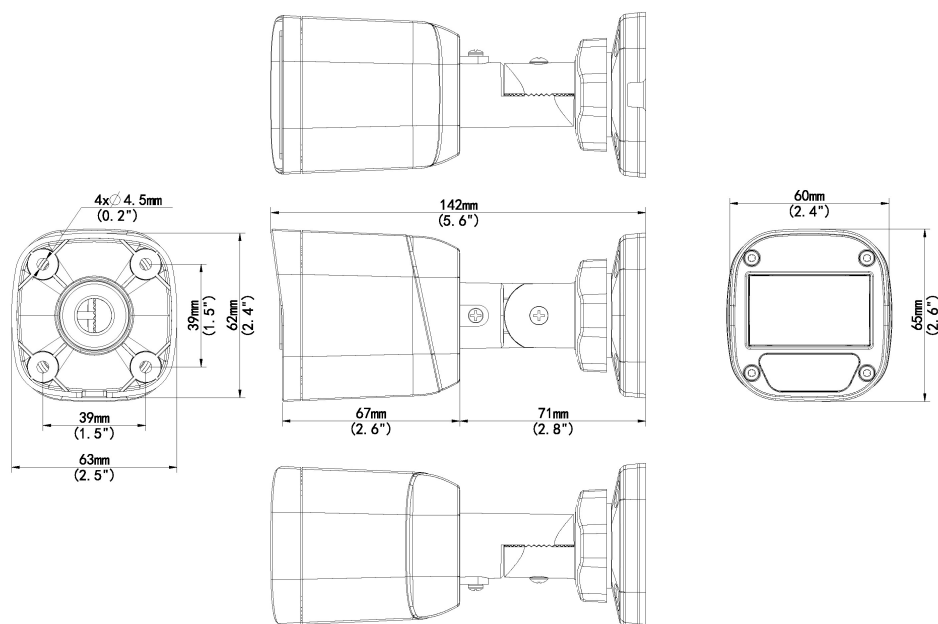
Power Source	DC 12V (adapter not included), plug size 2.1x5.5mm
Weight	135g (0.30lb)
Dimensions	(L x W x H): 142mm x 63mm x 65mm (5.59" x 2.48" x 2.56")
Environmental Casing	Weatherproof (IP67)
Mount Type	Pole Mount, Corner Mount
Operating Temperature	-30°C ~ 60°C (-22°F ~ 140°F)
Operating Humidity	≤90% RH
Surge Protection	4KV
Approvals	CE Class B, FCC Class B, IP67
Material	Plastic
Real-time Clock (RTC)	No
Warranty	2 Year(s). For extended warranty offering, see http://www.acti.com/support/warranty

► Photo Indication



- 1 DC 12V Power Input
- 2 Analog Video Output Connector

► Dimension Diagram



Unit: mm [inch]

▶ Related Products

Mounting Accessories - Camera Mount

PMAX-0526



Pole Mount (for Z31, Z33, Z34, Z41, Z42)

PMAX-0724



Junction Box (for Z33, Z34)

Note: Some mounting accessories may need additional accessories for installation. Please check www.acti.com/mountingselector for more information.

Power Supply Accessories - Power Adapter

PPBX-0012



Power Adapter AC 100~240V (US), for A3x, A4x, A88, A9x, Z31, Z8x, Z9x

PPBX-0013



Power Adapter AC 100~240V (EU), for A3x, A4x, A88, A9x, Z31, Z8x, Z9x

PPBX-0014



Power Adapter AC 100~240V (UK), for A3x, A4x, A88, A9x, Z31, Z8x, Z9x