

YVR-120



- 1-bay Mini Standalone Hybrid DVR
- Maximum Number of Video Devices: 6
- 4 (for Analog cameras)
2 (for IP video devices)
- 4 X BNC connector, supports TVI/AHD/CVI/CVBS
- Web Client

► Specifications

Device

Product Type	Standalone Hybrid DVR
Maximum Number of Video Devices	6
Supported Screen Resolution	HDMI/VGA: 1920x1080 (60Hz/50Hz), 1600x1200 (60Hz), 1280x1024 (60Hz), 1280x720 (60Hz), 1024x768 (60Hz)

License

License required	No
Free License	4 (for Analog cameras) 2 (for IP video devices)

Video

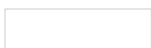
Maximum Frame Rate vs. Resolution	(TVI/AHD/CVI) 20 fps at 5MP 30 fps at 4MP 30 fps at 1080P 60 fps at 720P
-----------------------------------	--

Audio

Audio Type	2-way, Line-in, Line-out
Audio Compression	G.711 u-law

Network

Network Protocol & Service	IP, TCP, DHCP, HTTP, HTTPS, DNS, DDNS, SMTP, UPnP
----------------------------	---



Ethernet Port	1, Ethernet (10/100 Base-T), RJ-45 connector
Maximum Outgoing Throughput	48 Mbps

Recording

Maximum Recording Throughput	16 Mbps
------------------------------	---------

System

Server Operating System	Linux
USB	2-Port USB 2.0

Integration

ONVIF Compliant	Yes, Profile S
-----------------	----------------

Storage

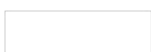
Storage Bay	SATA, Max. 1 Disk(s) (without storage disks)
HDD Size	2.5", 3.5"
Maximum Recording Capacity	20TB x1

Interface

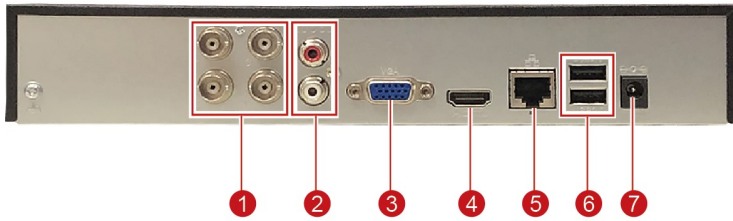
Audio Interface	1/1, RCA Jack
Analog Video Input	4 X BNC connector, supports TVI/AHD/CVI/CVBS
Local Display Interface	HDMI x 1, DVI x 1

General

Power Source	DC 12V
Power Supply	40W
Weight	1100g (2.42lb)
Dimensions	(W x H x D): 260mm x 47mm x 226mm (10.2" x 1.8" x 8.9")
Bundled Accessories	USB Mouse, Power Adapter
Fan	No
Operating Temperature	-10°C ~ 55°C (14°F ~ 131°F)
Operating Humidity	10% - 90% RH
Remote Access	Web Client
Approvals	CE Class A, FCC Class A
Color	Black
Real-time Clock (RTC)	Yes
Warranty	2 Year(s). For extended warranty offering, see http://www.acti.com/support/warranty

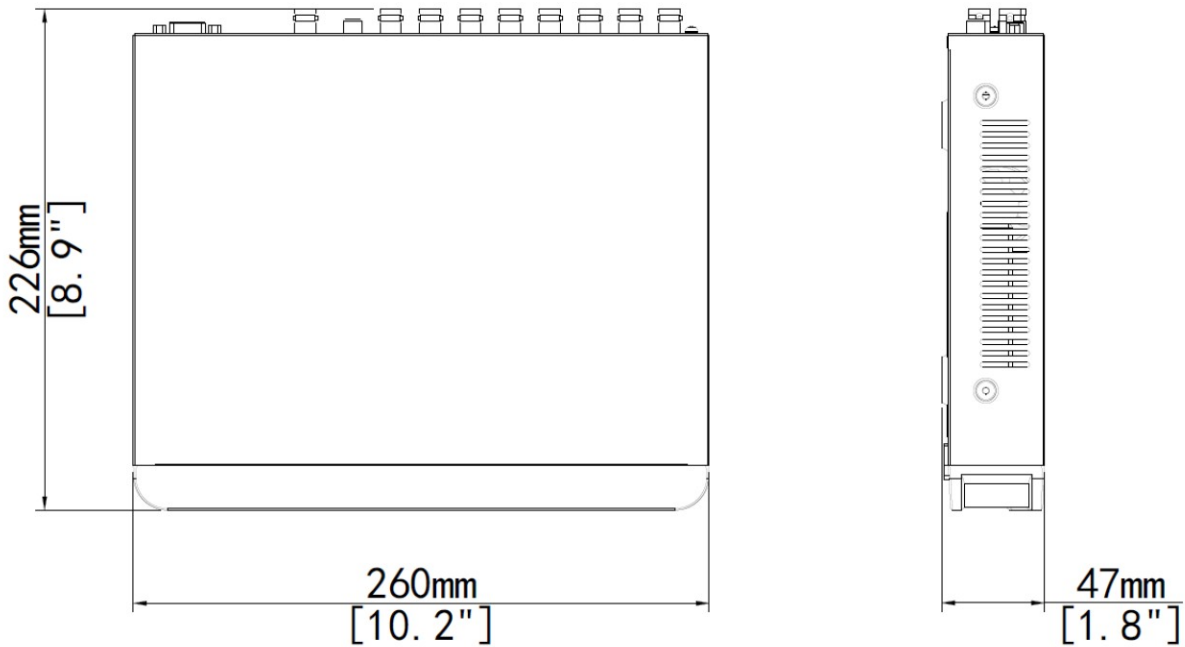


► Photo Indication



- 1 Analog Video Input
- 2 Audio Input / Output
- 3 VGA Connector
- 4 HDMI Connector
- 5 Ethernet Port
- 6 USB Port
- 7 DC 12V Power Input

► Dimension Diagram



Unit: mm [inch]