

Z75

5MP Outdoor Dome with D/N, Adaptive IR, Superior WDR, SLLS, Fixed Lens



- 5 Megapixel
- Day & Night with Superior Low Light Sensitivity and Adaptive IR LED
- Fixed Lens with f2.8mm/F1.6
- Superior WDR
- Super wide angle
- Built-in Analytics
- Event trigger, response and notification

► Specifications

Device

| | |
|--------------------------|---|
| Product Type | Dome |
| Maximum Resolution | 5MP |
| Application Environment | Outdoor |
| Image Sensor | Progressive Scan CMOS |
| Sensor Size | 1/2.7 " |
| Day / Night | Yes |
| Low Light Sensitivity | Superior |
| Minimum Illumination | Color: 0.003 lux at F1.6 (AGC on); B/W: 0 lux (IR LED on) |
| Mechanical IR Cut Filter | Yes |
| IR LED | Adaptive IR LED (850 nm) |
| IR Working Distance | 30m |
| S/N Ratio | 56 dB |

Lens

| | |
|--------------|---------------------|
| Focal Length | Fixed focal, f2.8mm |
| Aperture | F1.6 |

| | |
|--------------------------|---|
| Iris | Fixed iris |
| Horizontal Viewing Angle | 112.9° |
| Vertical Viewing Angle | 59.1° |
| Viewing Angle Adjustment | Pan: 0°-360°, Tilt: 0°-90°, Rotation: 0°-360° |

Video

| | |
|-----------------------------------|--|
| Compression | H.265, H.264 (Baseline/ Main/ High profile), MJPEG |
| Maximum Frame Rate vs. Resolution | 25 fps at 2880 x 1620 25 fps at 2560 x 1440 30 fps at 2304 x 1296 30 fps at 1920 x 1080 30 fps at 1280 x 720 30 fps at 720 x 576 30 fps at 640 x 360 |
| Multi-Streaming | Simultaneous dual streams |
| Bit Rate | 128Kbps - 16Mbps (per stream) |
| Wide Dynamic Range | Superior WDR (120 dB) |
| Digital Noise Reduction | 2D + 3D DNR |
| Privacy Mask | 4 configurable regions |
| Built-in Analytics | Tampering Detection, People Line Crossing Detection, Intrusion Detection (Forbidden Area Detection) |
| Image Orientation | Flip, Mirror, Rotation (Corridor mode) |

Audio

| | |
|-------------------|----------------------------|
| Audio Type | 1-way, Built-in Microphone |
| Audio Compression | G.711 |

Network

| | |
|----------------------------|---|
| Network Protocol & Service | IPv4/v6, TCP, UDP, DHCP, HTTP, HTTPS, DNS, DDNS, NTP, RTP, RTSP, RTCP, SMTP, FTP, IGMP, ICMP, ARP, UPnP, SNMP, QoS, SSL |
| Ethernet Port | 1 x Ethernet (10/100 Base-T), RJ-45 pigtail connector |

Event

| | |
|----------------|--|
| Event Trigger | Video motion detection, Sound detection, Intelligent event detection |
| Event Response | E-mail notification with snapshots, Upload snapshot to FTP server, Save video or snapshot to local storage |

Integration

| | |
|-----------------|---|
| ONVIF Compliant | Yes, Profile S, Profile G, Profile T |
| Web Browser | IE 11, Google Chrome, Microsoft Edge, Firefox |

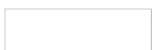
Interface

| | |
|------------------|---|
| Local Storage | MicroSD Memory Card Slot (card not included, up to 256GB, Kingston or Sandisk only) |
| Operating Button | No |

General

| | |
|-------------------|---------------------------|
| Power Source | DC 12V, PoE (IEEE802.3af) |
| Power Consumption | 4.5 W (PoE) |
| Weight | 360g (0.79lb) |

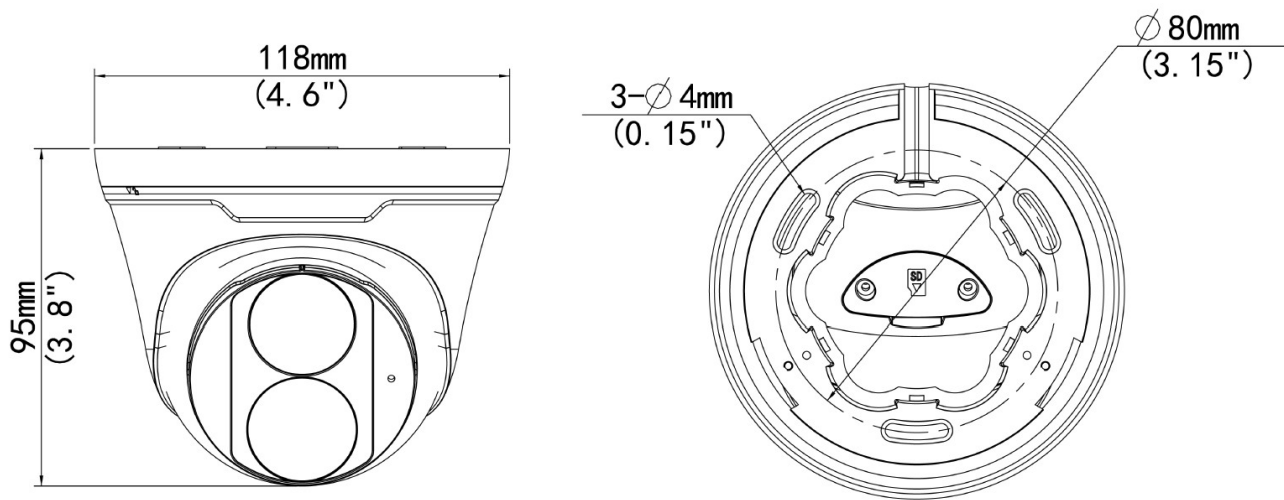
| | |
|-----------------------|--|
| Dimensions | (Ø x H): 118mm x 95mm (4.6" x 3.8") |
| Environmental Casing | Weatherproof (IP67) |
| Mount Type | Wall Mount, Pole Mount, Pendant |
| Operating Temperature | -30°C ~ 60°C (-22°F ~ 140°F) |
| Approvals | CE Class B, FCC Class B, IP67 |
| Color | White |
| Warranty | 2 Year(s). For extended warranty offering, see http://www.acti.com/support/warranty |



► Photo Indication



► Dimension Diagram



Unit: mm [inch]

► Related Products

Mounting Accessories - Camera Mount

PMAX-0128



Pendant Mount (for Z85, Z86, Z87, Z810)

PMAX-0349



Wall Mount with Built-in Junction Box (for Z71, Z72)

PMAX-0527



Pole Mount (for Z4x, Z710, Z8x, Z9x, A7x), supports 2.64" to 5" Poles

PMAX-0532



Pole Mount (Z710, Z8x, Z9x, A7x), supports 2.6" to 5" Poles

PMAX-0727



Junction Box (for Z71, Z72)

Note: Some mounting accessories may need additional accessories for installation. Please check www.acti.com/mountingselector for more information.

Power Supply Accessories - Power Adapter

PPBX-0012



Power Adapter AC 100~240V (US), for A3x, A4x, A88, A9x, Z31, Z8x, Z9x

PPBX-0013



Power Adapter AC 100~240V (EU), for A3x, A4x, A88, A9x, Z31, Z8x, Z9x

PPBX-0014



Power Adapter AC 100~240V (UK), for A3x, A4x, A88, A9x, Z31, Z8x, Z9x

Power Supply Accessories - PoE Injector

PPOE-0002



PoE Injector IEEE 802.3af compliant, AC 100~240V, with universal connectors