



iWSN-SOS-PB

iWSN-SOS-PB-IP65

iWSN-SOS-PB-PT

iWSN emergency call button module (Asia Only)

Introduction

The iWSN-SOS-PB series are wireless emergency call button products available in Indoor, outdoor waterproof, and handheld types, through sub-1G RF communication interface, they can achieve real wireless deployment. They provide emergency help function, improve protection for personal safety. This system is very suitable for use in a public area. For example, public toilets, hospitals, nursing homes, open campuses and large parking lots, etc. The iWSN-SOS-PB series is installed with a CR-123A battery that delivers reliable electricity and reduces the cost of wiring. It can achieve emergency information transmission and meet requirements of low energy consumption, wireless communication, and emergency monitoring, etc. It can greatly reduce the time and human resources required for system implementation and maintenance.

System Specifications

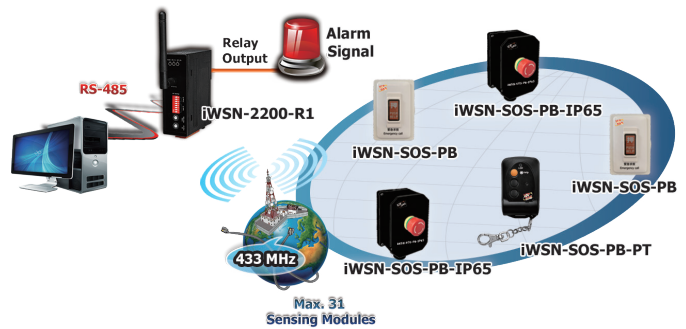
Model	iWSN-SOS-PB	iWSN-SOS-PB-IP65	iWSN-SOS-PB-PT
RF Interface			
Radio Frequency	1		
Channels	4 pole 3.5mm audio cable with 25 cm wire lead		
Group ID	0 ~ 3 (Selectable by DIP Switch)		
Transmission Power	9±1dBm (PA Off) / 18±1dBm (PA On)		
Transmission Distance (LoS)	50 m		
Node ID	1 ~ 31 configured by DIP switch		
Working Duty	1 / 10 / 30 / 60 Secs. 3 / 5 / 10 / 30 Mins. (Selectable by DIP Switch) 1 Sec.(Emergency Triggered Only)		
Antenna			
Type	0 dBi Spring antenna (Omni-directional)	0.83 dBi Chip antenna (Omni-directional)	
Power			
Consumption	0.596mAh@1 Day	0.577mAh@1 Day	1.069mAh@1 Day
Battery	1 x CR123A (3.0 VDC) Battery Life: 2 years (Working Duty: 1 Min.)		
Mechanical			
Dimensions (mm)	92 x 136 x 52(W x L x H)	90 x 150 x 103(W x L x H)	43 x 70 x 21 (W x L x H)
Ingress Protection Rating	--	IP65	--
Installation	Wall-mount	Wall-mount	Hook
Environment			
Operating Temperature	-25°C ~ +60°C	-25°C ~ +60°C	-25°C ~ +60°C
Storage Temperature	-30 ~ +80°C (No battery included) -20 ~ +45°C (Battery included)		
Humidity	20 ~ 65% RH(Non-condensing)		

Features

- Provide emergency message for help report function
- Powered by built-in disposable lithium batteries
- Support 433MHz Radio Frequency
- Selectable 16 Radio Frequency Channels
- Active online report

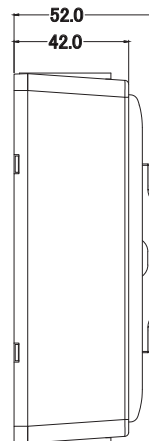


Applications

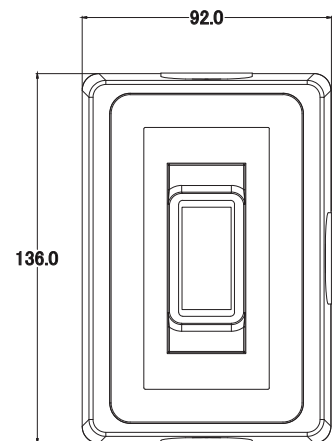


Dimensions (Units: mm)

iWSN-SOS-PB

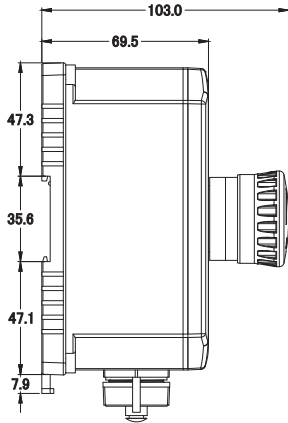


Left Side View

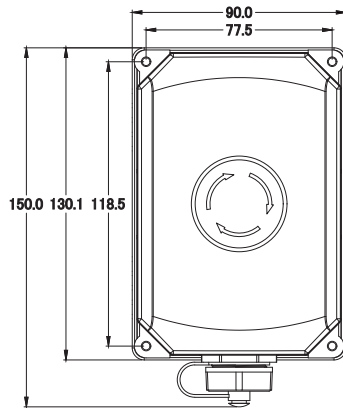


Front View

iWSN-SOS-PB-IP65

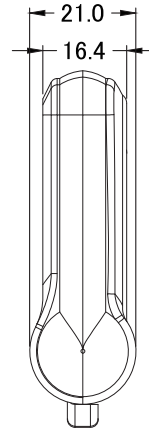


Left Side View

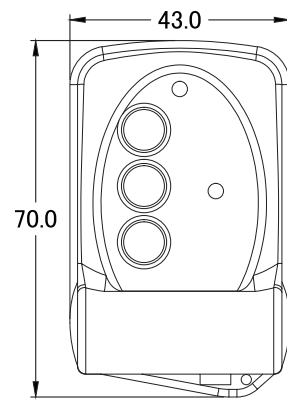


Front View

iWSN-SOS-PB-PT



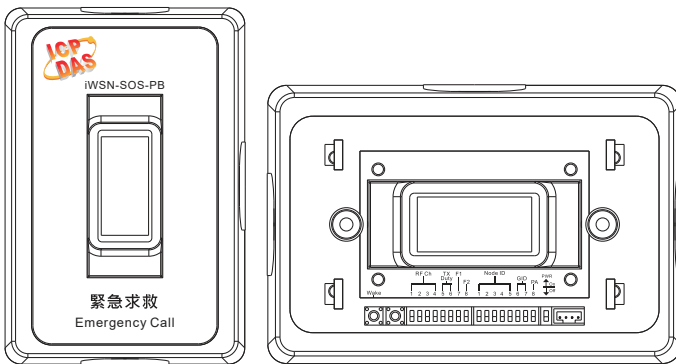
Left Side View



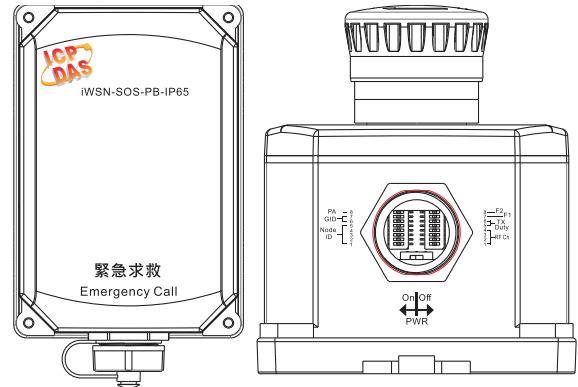
Front View

Appearance

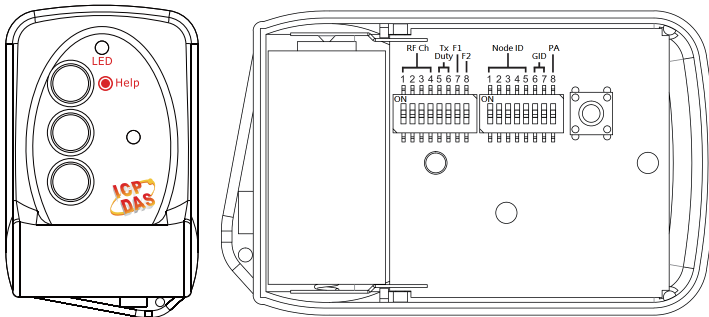
iWSN-SOS-PB



iWSN-SOS-PB-IP65



iWSN-SOS-PB-PT



Ordering Information

iWSN-SOS-PB CR	iWSN indoor emergency call button module(RoHS) (Asia Only)
iWSN-SOS-PB-IP65 CR	iWSN waterproof emergency call button module (RoHS) (Asia Only)
iWSN-SOS-PB-PT CR	iWSN Handheld emergency call button module (RoHS) (Asia Only)